

Item description/product images



Description

Material:

Stainless steel 1.4401.

Note:

Hinges for inset doors.

The hinges can be mounted right or left.

The points mark the centre of the adjustment travel "L" for ease of assembly.

Machining tolerances and door gaps can be compensated for and re-adjusted horizontally and vertically.

The loading values given for the hinges are non-binding reference values without consideration of safety factors and exclude any liability. The values given are for information purposes only and do not constitute a legally binding assurance of properties.

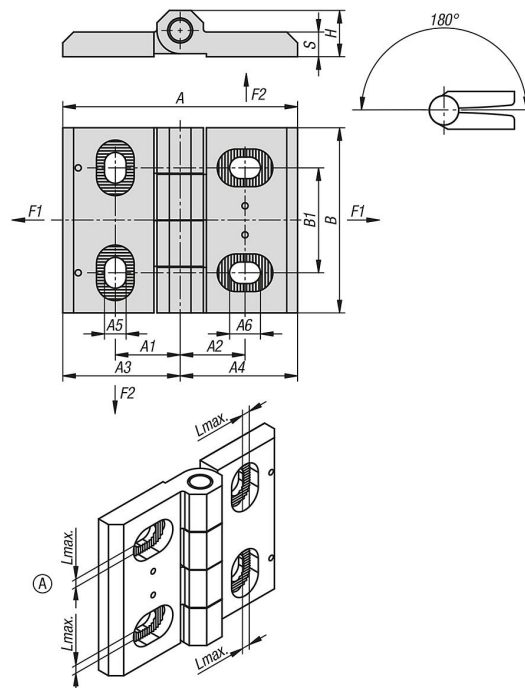
The load values have been determined under laboratory conditions. Each user must determine individually whether the hinge is suitable for the respective application.

Different materials onto which the hinges are installed and the type of mounting, weather conditions and wear can influence the determined values.

Accessory:

Cap screws DIN 6912 (M6) 07161.

Drawings



Overview of items

Order No.	Form definition	A	A1	A2	A3	A4	A5	A6	B	B1	S	H	Travel path L max.	Opening angle	F1 N	F2 N
27875-95-07382121	-	76	21	21	38	38	7	10	60	34	8	15	4	180°	9000	1000