

Item description/product images



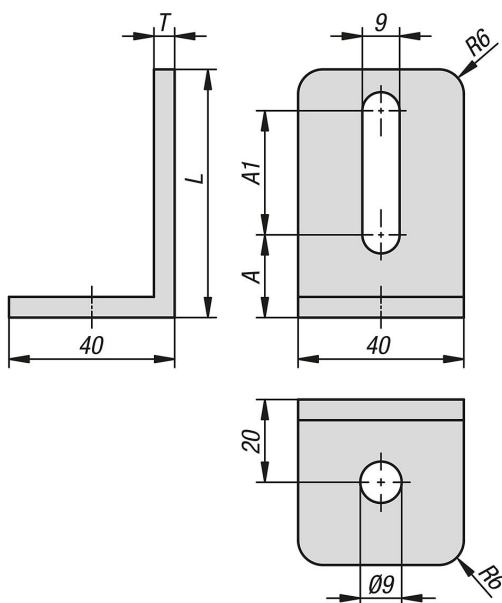
Description

**Material:**  
Steel.

**Version:**  
Electro zinc-plated.

**Note:**  
Universal fastening element for a rigid connection and linkage of profiles, panel elements or lightweight shelving.

Drawings



Overview of items

Order No.	A	A1	L	T
10242-01-4060	20	30	60	5
10242-01-4080	16	50	80	6

