

## Item description/product images



## Description

**Material:**

Stainless steel 1.4305.

**Version:**

Bright.

**Note:**

Backlash-free, torsionally stiff, flexurally elastic and maintenance-free all-metal coupling for the transmission of angularly synchronous rotary movements. The innovative slot structure enables very good axial, radial and angular flexibility with low restoring forces. Best suited for servomotors. With clamp hub for shaft fastening.

These stainless steel beam couplings are particularly suitable for the foodstuff and pharmaceutical industries.

**Temperature range:**

-50 °C to +150 °C.

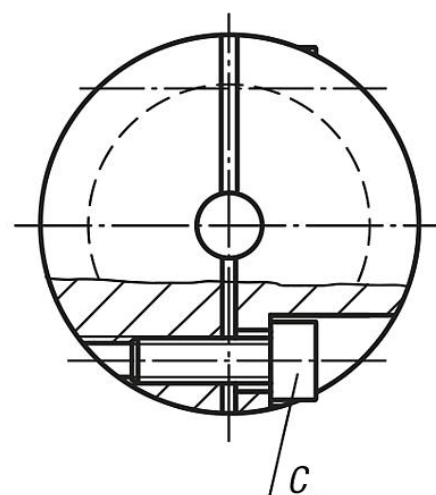
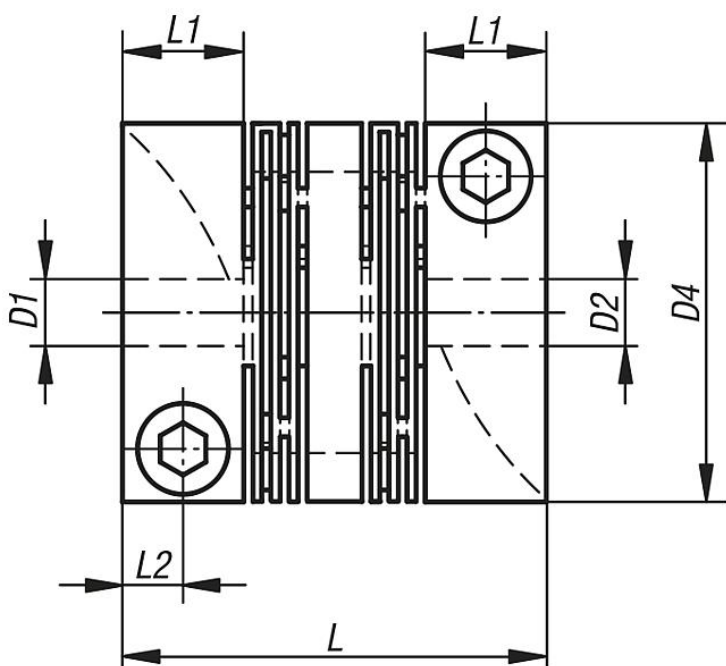
**Assembly:**

The beam couplings have a H7 tolerance. The recommended clearance tolerance is 0.02 - 0.05 mm. This tolerance and lubricating the shaft journals aids assembly and removal.

**On request:**

Desired hub holes D1 and D2 separately with tolerance class or tolerance zone. DIN 6885 keyway.

## Drawings



## Overview of items

Order No.	Size	D1 (H7)	D2 (H7)	D1/D2 min.	D1/D2 max.	D4	L	L1	L2	Nom. torque Nm	Moment of inertia ( $\text{gm}^2$ )	Torsional stiffness ( $10^3 \text{ Nm/rad}$ )
23010-05-0300400810	30	8	10	6	14	30	40	11	5,5	25	0,01920	2,530
23010-05-0160230505	16	5	5	3	6	16	23	7	3,5	6	0,00080	0,513
23010-05-0180160606	18	6	6	3	6	18	16,6	5	2,5	6	0,00099	0,752
23010-05-0200280606	20	6	6	3	8	20	28	8	4	12	0,00288	1,189
23010-05-0200280808	20	8	8	3	8	20	28	8	4	12	0,00288	1,189
23010-05-0220200608	22	6	8	3	10	22	20	5,5	2,75	6	0,00260	1,372
23010-05-0250280810	25	8	10	6	12	25	28	8	4	16	0,00648	1,558
23010-05-0250280808	25	8	8	6	12	25	28	8	4	16	0,00648	1,558
23010-05-0400481616	40	16	16	6	19	40	48	11	5,5	36	0,07580	11,008
23010-05-0500651616	50	16	16	10	26	50	65	19	9,5	73	0,24600	20,995
23010-05-0500651919	50	19	19	10	26	50	65	19	9,5	73	0,24600	20,995
23010-05-0500652020	50	20	20	10	26	50	65	19	9,5	73	0,24600	20,995
23010-05-0500651515	50	15	15	10	26	50	65	19	9,5	73	0,24600	20,995
23010-05-0160230606	16	6	6	3	6	16	23	7	3,5	6	0,00080	0,513
23010-05-0250280606	25	6	6	6	12	25	28	8	4	16	0,00648	1,558
23010-05-0180160506	18	5	6	3	6	18	16,6	5	2,5	6	0,00099	0,752
23010-05-0250280608	25	6	8	6	12	25	28	8	4	16	0,00648	1,558
23010-05-0220200808	22	8	8	3	10	22	20	5,5	2,75	6	0,00260	1,372
23010-05-0400481515	40	15	15	6	19	40	48	11	5,5	36	0,07580	11,008
23010-05-0250280610	25	6	10	6	12	25	28	8	4	16	0,00648	1,558
23010-05-0200280608	20	6	8	3	8	20	28	8	4	12	0,00288	1,189
23010-05-0160230506	16	5	6	3	6	16	23	7	3,5	6	0,00080	0,513
23010-05-0300401010	30	10	10	6	14	30	40	11	5,5	25	0,01920	2,530
23010-05-0400481010	40	10	10	6	19	40	48	11	5,5	36	0,07580	11,008
23010-05-0400481012	40	10	12	6	19	40	48	11	5,5	36	0,07580	11,008
23010-05-0300400808	30	8	8	6	14	30	40	11	5,5	25	0,01920	2,530
23010-05-0250281010	25	10	10	6	12	25	28	8	4	16	0,00648	1,558
23010-05-0160230303	16	3	3	3	6	16	23	7	3,5	6	0,00080	0,513
23010-05-0180160303	18	3	3	3	6	18	16,6	5	2,5	6	0,00099	0,752
23010-05-0180160505	18	5	5	3	6	18	16,6	5	2,5	6	0,00099	0,752
23010-05-0200280303	20	3	3	3	8	20	28	8	4	12	0,00288	1,189
23010-05-0200280505	20	5	5	3	8	20	28	8	4	12	0,00288	1,189
23010-05-0200280506	20	5	6	3	8	20	28	8	4	12	0,00288	1,189
23010-05-0200280508	20	5	8	3	8	20	28	8	4	12	0,00288	1,189
23010-05-0220200303	22	3	3	3	10	22	20	5,5	2,75	6	0,00260	1,372
23010-05-0220200505	22	5	5	3	10	22	20	5,5	2,75	6	0,00260	1,372
23010-05-0220200506	22	5	6	3	10	22	20	5,5	2,75	6	0,00260	1,372
23010-05-0220200508	22	5	8	3	10	22	20	5,5	2,75	6	0,00260	1,372
23010-05-0220200606	22	6	6	3	10	22	20	5,5	2,75	6	0,00260	1,372
23010-05-0300400606	30	6	6	6	14	30	40	11	5,5	25	0,01920	2,530
23010-05-0300400608	30	6	8	6	14	30	40	11	5,5	25	0,01920	2,530
23010-05-0300400610	30	6	10	6	14	30	40	11	5,5	25	0,01920	2,530
23010-05-0400480606	40	6	6	6	19	40	48	11	5,5	36	0,07580	11,008
23010-05-0400481212	40	12	12	6	19	40	48	11	5,5	36	0,07580	11,008
23010-05-0500651010	50	10	10	10	26	50	65	19	9,5	73	0,24600	20,995
23010-05-0600801010	60	10	10	10	30	60	80	25	12,5	110	0,64800	37,165
23010-05-0600801616	60	16	16	10	30	60	80	25	12,5	110	0,64800	37,165
23010-05-0600802020	60	20	20	10	30	60	80	25	12,5	110	0,64800	37,165
23010-05-0600802424	60	24	24	10	30	60	80	25	12,5	110	0,64800	37,165
23010-05-0700951515	70	15	15	15	35	70	95	25	12,5	190	1,39200	196,024
23010-05-0700952020	70	20	20	15	35	70	95	25	12,5	190	1,39200	196,024
23010-05-0700953232	70	32	32	15	35	70	95	25	12,5	190	1,39200	196,024

Order No.	max. rpm	max. angular offset (°)	max. shaft offset axial (mm)	max. shaft offset radial (mm)	C (ISO 4029)	Tightening torque of screws Nm
23010-05-0300400810	6000	1	0,85	0,1	M4	3,4
23010-05-0160230505	10000	2	0,5	0,15	M2,5	1
23010-05-0180160606	10000	2	0,5	0,15	M2,5	1
23010-05-0200280606	9500	1	1	0,1	M3	1,5
23010-05-0200280808	9500	1	1	0,1	M3	1,5
23010-05-0220200608	9500	1	1	0,15	M2,5	1
23010-05-0250280810	8000	1	1	0,1	M3	1,5
23010-05-0250280808	8000	1	1	0,1	M3	1,5
23010-05-0400481616	5000	1	0,85	0,15	M5	7

## Overview of items

Order No.	max. rpm	max. angular offset (°)	max. shaft offset axial (mm)	max. shaft offset radial (mm)	C (ISO 4029)	Tightening torque of screws Nm
23010-05-0500651616	5000	1,5	0,7	0,15	M6	14
23010-05-0500651919	5000	1,5	0,7	0,15	M6	14
23010-05-0500652020	5000	1,5	0,7	0,15	M6	14
23010-05-0500651515	5000	1,5	0,7	0,15	M6	14
23010-05-0160230606	10000	2	0,5	0,15	M2,5	1
23010-05-0250280606	8000	1	1	0,1	M3	1,5
23010-05-0180160506	10000	2	0,5	0,15	M2,5	1
23010-05-0250280608	8000	1	1	0,1	M3	1,5
23010-05-0220200808	9500	1	1	0,15	M2,5	1
23010-05-0400481515	5000	1	0,85	0,15	M5	7
23010-05-0250280610	8000	1	1	0,1	M3	1,5
23010-05-0200280608	9500	1	1	0,1	M3	1,5
23010-05-0160230506	10000	2	0,5	0,15	M2,5	1
23010-05-0300401010	6000	1	0,85	0,1	M4	3,4
23010-05-0400481010	5000	1	0,85	0,15	M5	7
23010-05-0400481012	5000	1	0,85	0,15	M5	7
23010-05-0300400808	6000	1	0,85	0,1	M4	3,4
23010-05-0250281010	8000	1	1	0,1	M3	1,5
23010-05-0160230303	10000	2	0,5	0,15	M2,5	1
23010-05-0180160303	10000	2	0,5	0,15	M2,5	1
23010-05-0180160505	10000	2	0,5	0,15	M2,5	1
23010-05-0200280303	9500	1	1	0,1	M3	1,5
23010-05-0200280505	9500	1	1	0,1	M3	1,5
23010-05-0200280506	9500	1	1	0,1	M3	1,5
23010-05-0200280508	9500	1	1	0,1	M3	1,5
23010-05-0220200303	9500	1	1	0,15	M2,5	1
23010-05-0220200505	9500	1	1	0,15	M2,5	1
23010-05-0220200506	9500	1	1	0,15	M2,5	1
23010-05-0220200508	9500	1	1	0,15	M2,5	1
23010-05-0220200606	9500	1	1	0,15	M2,5	1
23010-05-0300400606	6000	1	0,85	0,1	M4	3,4
23010-05-0300400608	6000	1	0,85	0,1	M4	3,4
23010-05-0300400610	6000	1	0,85	0,1	M4	3,4
23010-05-0400480606	5000	1	0,85	0,15	M5	7
23010-05-0400481212	5000	1	0,85	0,15	M5	7
23010-05-0500651010	5000	1,5	0,7	0,15	M6	14
23010-05-0600801010	4500	1,5	0,7	0,15	M8	27
23010-05-0600801616	4500	1,5	0,7	0,15	M8	27
23010-05-0600802020	4500	1,5	0,7	0,15	M8	27
23010-05-0600802424	4500	1,5	0,7	0,15	M8	27
23010-05-0700951515	4000	1	0,33	0,1	M8	27
23010-05-0700952020	4000	1	0,33	0,1	M8	27
23010-05-0700953232	4000	1	0,33	0,1	M8	27