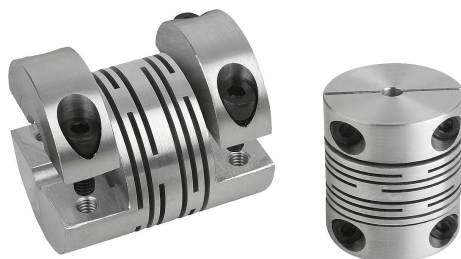


Item description/product images



Description

Material:
Aluminium.

Version:
Bright.

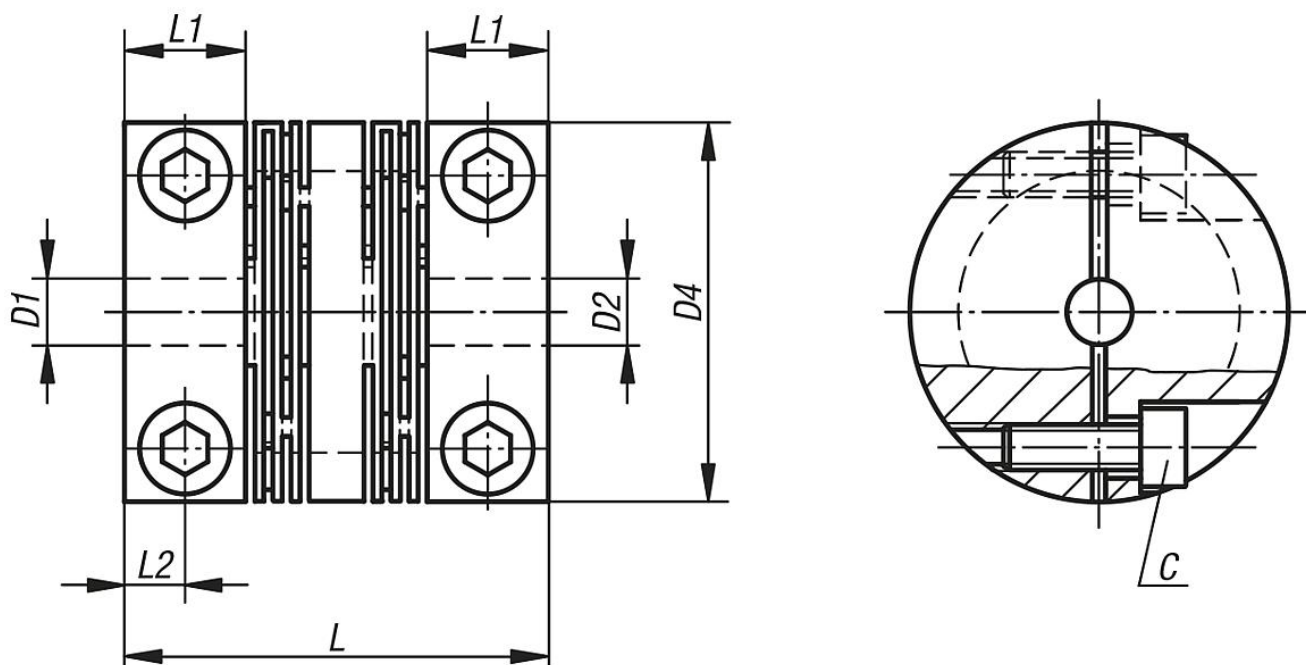
Note:
Backlash-free, torsionally stiff, flexurally elastic and maintenance-free all-metal coupling for the transmission of angularly synchronous rotary movements. The innovative slot structure enables very good axial, radial and angular flexibility with low restoring forces. Best suited for servomotors. With detachable clamp hub for shaft fastening.

Temperature range:
-50 °C to +150 °C.

Assembly:
The beam couplings have a H7 tolerance. The recommended clearance tolerance is 0.02 - 0.05 mm. This tolerance and lubricating the shaft journals aids assembly and removal.

On request:
Desired hub holes D1 and D2 separately with tolerance class or tolerance zone. DIN 6885 keyway.

Drawings



Overview of items

Order No.	Size	D1 (H7)	D2 (H7)	D1/D2 min.	D1/D2 max.	D4	L	L1	L2	Nom. torque Nm	Torsional stiffness (10 ³ Nm/rad)	Moment of inertia (gm ²)
23012-01-0250280606	25	6	6	6	12	25	28	8	4	7	0,733	0,00228

Overview of items

Order No.	Size	D1 (H7)	D2 (H7)	D1/D2 min.	D1/D2 max.	D4	L	L1	L2	Nom. torque Nm	Torsional stiffness (10 ³ Nm/rad)	Moment of inertia (gm ²)
23012-01-0400480606	40	6	6	6	19	40	48	11	5,5	19	3,767	0,02790
23012-01-0400481212	40	12	12	6	19	40	48	11	5,5	19	3,767	0,02790
23012-01-0500651010	50	10	10	10	26	50	65	19	9,5	35	7,196	0,08970
23012-01-0250281010	25	10	10	6	12	25	28	8	4	7	0,733	0,00228
23012-01-0250280810	25	8	10	6	12	25	28	8	4	7	0,733	0,00228
23012-01-0250280610	25	6	10	6	12	25	28	8	4	7	0,733	0,00228
23012-01-0300401010	30	10	10	6	14	30	40	11	5,5	10	0,868	0,00680
23012-01-0400481515	40	15	15	6	19	40	48	11	5,5	19	3,767	0,02790
23012-01-0500652020	50	20	20	10	26	50	65	19	9,5	35	7,196	0,08970
23012-01-0250280808	25	8	8	6	12	25	28	8	4	7	0,733	0,00228
23012-01-0300400808	30	8	8	6	14	30	40	11	5,5	10	0,868	0,00680
23012-01-0300400606	30	6	6	6	14	30	40	11	5,5	10	0,868	0,00680
23012-01-0400481616	40	16	16	6	19	40	48	11	5,5	19	3,767	0,02790
23012-01-0300400608	30	6	8	6	14	30	40	11	5,5	10	0,868	0,00680
23012-01-0300400610	30	6	10	6	14	30	40	11	5,5	10	0,868	0,00680
23012-01-0250280608	25	6	8	6	12	25	28	8	4	7	0,733	0,00228
23012-01-0500651515	50	15	15	10	26	50	65	19	9,5	35	7,196	0,08970
23012-01-0300400810	30	8	10	6	14	30	40	11	5,5	10	0,868	0,00680
23012-01-0500651919	50	19	19	10	26	50	65	19	9,5	35	7,196	0,08970
23012-01-0400481010	40	10	10	6	19	40	48	11	5,5	19	3,767	0,02790
23012-01-0400481012	40	10	12	6	19	40	48	11	5,5	19	3,767	0,02790
23012-01-0500651616	50	16	16	10	26	50	65	19	9,5	35	7,196	0,08970
23012-01-0600801010	60	10	10	10	30	60	80	25	12,5	70	12,750	0,25370
23012-01-0600801616	60	16	16	10	30	60	80	25	12,5	70	12,750	0,25370
23012-01-0600802020	60	20	20	10	30	60	80	25	12,5	70	12,750	0,25370
23012-01-0600802424	60	24	24	10	30	60	80	25	12,5	70	12,750	0,25370
23012-01-0700951515	70	15	15	15	35	70	95	25	12,5	130	66,768	0,50660
23012-01-0700952020	70	20	20	15	35	70	95	25	12,5	130	66,768	0,50660
23012-01-0700953232	70	32	32	15	35	70	95	25	12,5	130	66,768	0,50660

Order No.	max. rpm	max. angular offset (°)	max. shaft offset axial (mm)	max. shaft offset radial (mm)	C (ISO 4029)	Tightening torque of screws Nm
23012-01-0250280606	8000	1	1	0,1	M3	1,5
23012-01-0400480606	5000	1	0,85	0,15	M5	7
23012-01-0400481212	5000	1	0,85	0,15	M5	7
23012-01-0500651010	5000	1,5	0,7	0,15	M6	14
23012-01-0250281010	8000	1	1	0,1	M3	1,5
23012-01-0250280810	8000	1	1	0,1	M3	1,5
23012-01-0250280610	8000	1	1	0,1	M3	1,5
23012-01-0300401010	6000	1	0,85	0,1	M4	3,4
23012-01-0400481515	5000	1	0,85	0,15	M5	7
23012-01-0500652020	5000	1,5	0,7	0,15	M6	14
23012-01-0250280808	8000	1	1	0,1	M3	1,5
23012-01-0300400808	6000	1	0,85	0,1	M4	3,4
23012-01-0300400606	6000	1	0,85	0,1	M4	3,4
23012-01-0400481616	5000	1	0,85	0,15	M5	7
23012-01-0300400608	6000	1	0,85	0,1	M4	3,4
23012-01-0300400610	6000	1	0,85	0,1	M4	3,4
23012-01-0250280608	8000	1	1	0,1	M3	1,5
23012-01-0500651515	5000	1,5	0,7	0,15	M6	14
23012-01-0300400810	6000	1	0,85	0,1	M4	3,4
23012-01-0500651919	5000	1,5	0,7	0,15	M6	14
23012-01-0400481010	5000	1	0,85	0,15	M5	7
23012-01-0400481012	5000	1	0,85	0,15	M5	7
23012-01-0500651616	5000	1,5	0,7	0,15	M6	14
23012-01-0600801010	4500	1,5	0,7	0,15	M8	27
23012-01-0600801616	4500	1,5	0,7	0,15	M8	27
23012-01-0600802020	4500	1,5	0,7	0,15	M8	27
23012-01-0600802424	4500	1,5	0,7	0,15	M8	27
23012-01-0700951515	4000	1	0,33	0,1	M8	27
23012-01-0700952020	4000	1	0,33	0,1	M8	27
23012-01-0700953232	4000	1	0,33	0,1	M8	27

