

Item description/product images



Description

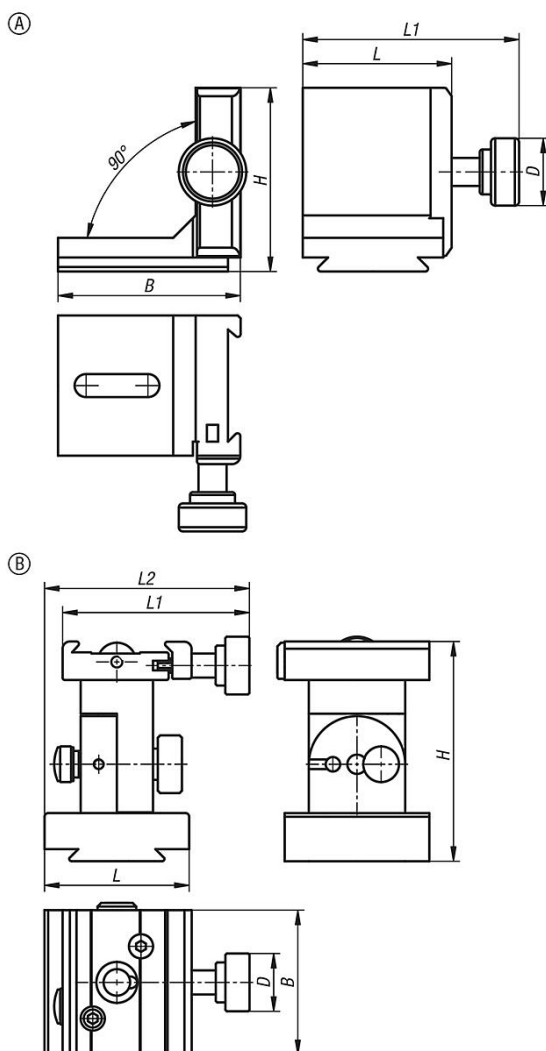
Material:
Body aluminium.

Version:
Hard-coated aluminium.

Note:
The angle element can be mounted on the quick-action clamp without tools and joined to various adapters for precision vices, three-jaw chucks and needle supports.

Accessory:
Quick-action clamp 33227-05, aluminium adapter for precision vice 33225-20, aluminium adapter for three-jaw chuck 33226-05 and needle support 33227.

Drawings



Overview of items

Order No.	Form	Form definition	B	D	H	L	L1	L2
33227-10-0	A	fixed	64,9	24	65,5	53	77	-

Overview of items

Order No.	Form	Form definition	B	D	H	L	L1	L2
33227-10-1	B	Adjustable	60	24	91,3	60	77,5	85