

Item description/product images



Description

Material:

Steel.

Version:

Steel electro zinc-plated.

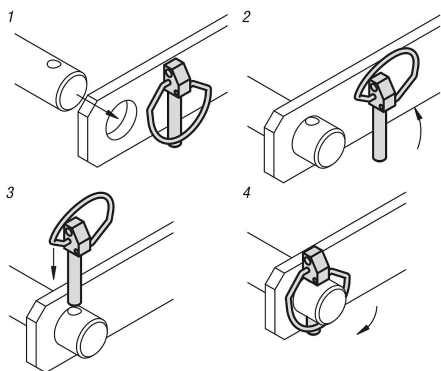
Note:

Linch pins are used to e.g. secure bolts, tubes and shafts. Linch pins can be manually installed and removed without extra tools in the shortest time.

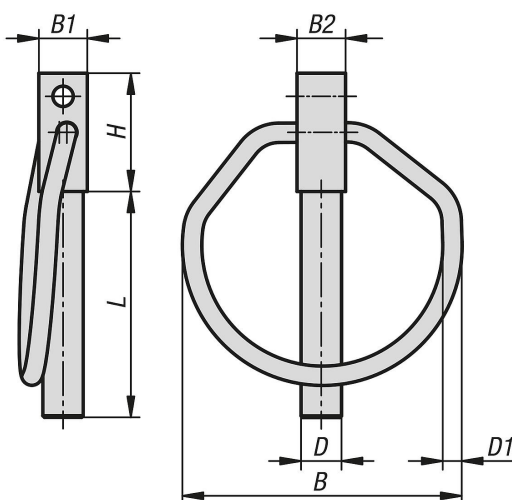
The appearance of the linch pins may differ from those shown in the drawing and illustration.

The nominal size 21x45 is preferred for connecting parts of three-point mounted appliances.

For dimension B max. it must be possible to flip the spring clip over the axle or shaft without hindrance.



Drawings



Overview of items

Order No.	Nominal size	D	L	B max.	B1 max.	B2 max.	D1 min.	H max.
07337-10-05X32	5x32	4,5 +0,3/-0,2	32	36	11,5	7	2,5	18
07337-10-06X42	6x42	5,5 +0,3/-0,2	42	52	14	8	3,6	22
07337-10-08X42	8x42	7,5 +0,3/-0,2	42	52	15	9	3,6	22
07337-10-10X45	10x45	9,5 +0,3/-0,2	45	52	15	12	3,6	22
07337-10-12X45	12x45	11 ±0,5	45	52	15	14	3,6	22
07337-10-12X55	12x55	11 ±0,5	55	60	15	14	4	22