

Item description/product images



**Description**

**Material:**

Stainless steel 1.4310.

**Version:**

Bright.

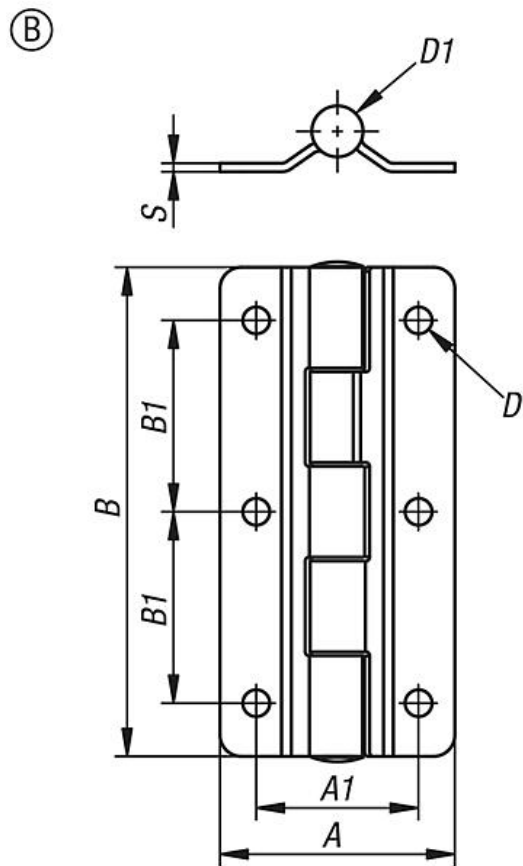
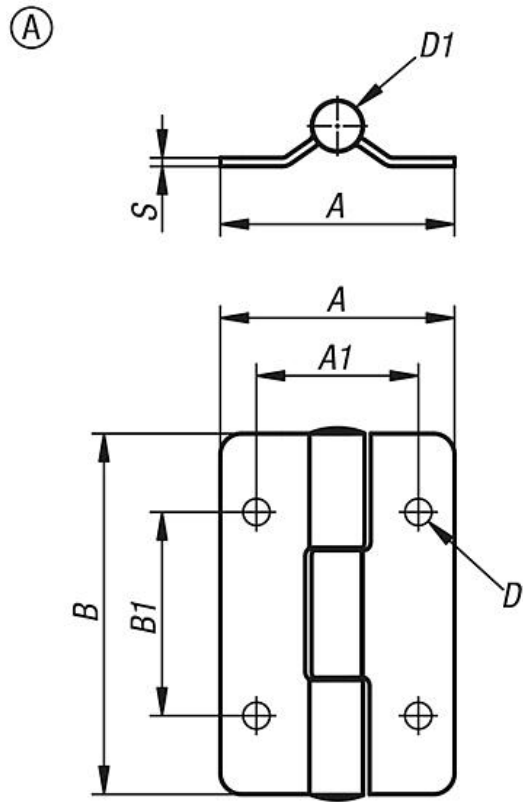
**Note:**

Due to the constant and stable torque, the hinges permit door positioning in any angular orientation without the need for additional aids.

Opening angle 270°.

**Accessory:**

Hinges, stainless steel 27877-02



## Overview of items

Order No.	Form	A	A1	B	B1	D	D1	S	Max. torque Nm
27860-01-55853	A	55	38	85	48	6,3	12	2	3
27860-01-55855	A	55	38	85	48	6,3	16	2	5
27860-01-65858	A	65	50	85	48	6,3	18	3	8
27860-01-551154	B	55	38	115	45	6,3	12	2	4,5