

Item description/product images



Description

Material:

Guide tube low carbon steel 1.7139.

Version:

case-hardened.

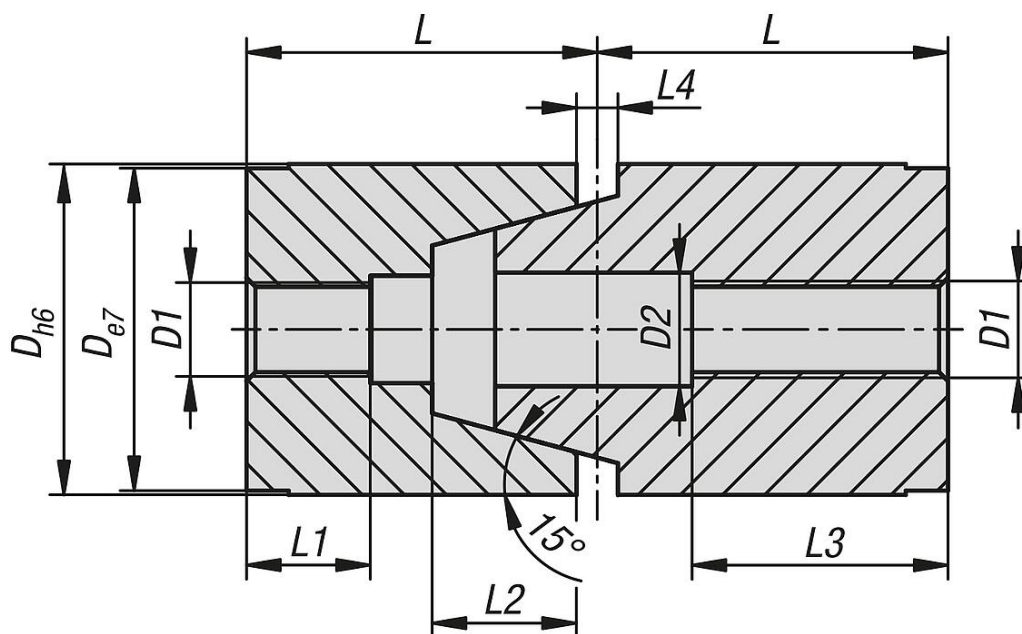
Note:

The steel centring guide is a precise component system used in tool and die making to ensure precise alignment, positioning and centring of tools, dies or other moving parts. These centring guides are designed to ensure accurate alignment, maximising the quality, repeatability and efficiency of manufacturing processes.

The centring guide is used in numerous areas of tool and die making, including:

- Precision die-making
- Injection moulding
- Stamping and forming processes
- Metal processing
- Plastic processing
- Automobile industry
- Electronics industry

Drawings



Overview of items

Order No.	D	D1	D2	L	L1	L2	L3	L4
03152-25-12	12	M4	4,2	17	8,5	5	9,6	2
03152-25-14	14	M5	5,5	17	6	7	12,4	2
03152-25-16	16	M5	5,5	17	6	7	12,4	2
03152-25-20	20	M8	9	27	10,5	10	19,7	2

Overview of items

Order No.	D	D1	D2	L	L1	L2	L3	L4
03152-25-25	25	M8	9	27	9	11	19,7	2
03152-25-26	26	M8	9	27	9	11	19,7	2
03152-25-30	30	M10	11	36	12,2	16	10	2
03152-25-32	32	M10	11	36	12,2	16	10	2
03152-25-42	42	M10	11	46	16,5	20	10	2