

## Item description/product images



## Description

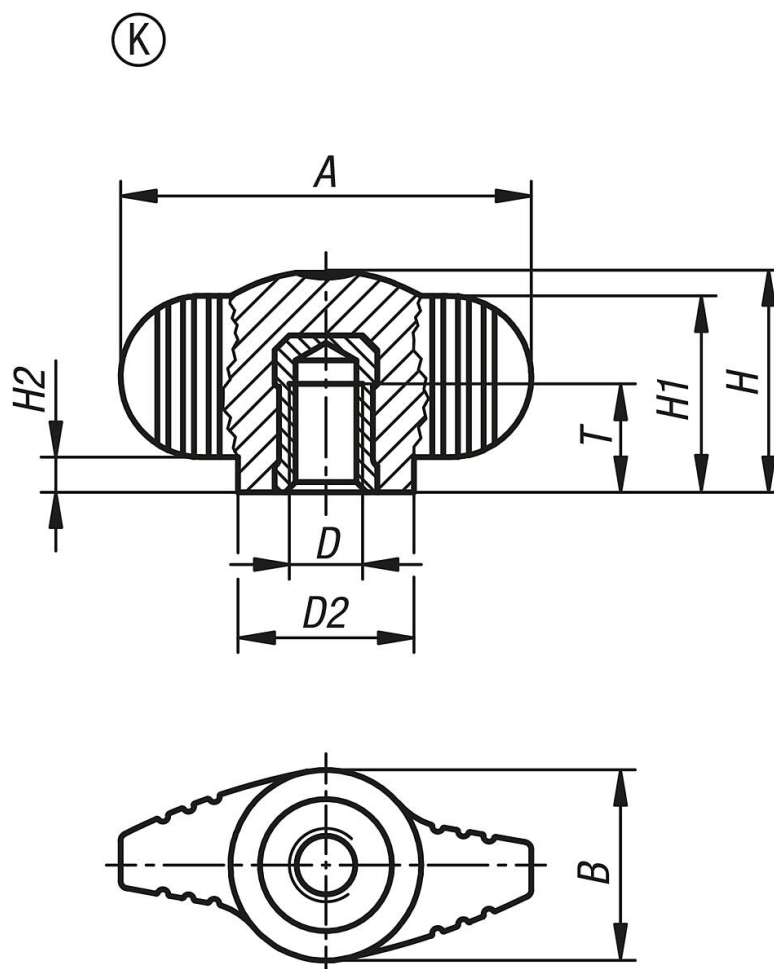
## Material:

Black grey thermoplastic.  
Bush brass or stainless steel 1.4305.

## Version:

Grip black grey.  
Steel trivalent blue passivated.  
Stainless steel bright.

## Drawings



## Overview of items

Order No.	Form	Component material	A	B	D	D2	H	H1	H2	T
06652-004	K	brass	28	13	M4	12	15	13,3	2,3	6
06652-005	K	brass	28	13	M5	12	15	13,3	2,3	8
06652-006	K	brass	28	13	M6	12	15	13,3	2,3	8
06652-806	K	steel	40	16	M6	14,6	21	19	4	12
06652-808	K	steel	40	16	M8	14,6	21	19	4	12
06652-0004	K	stainless steel	28	13	M4	12	15	13,3	2,3	6
06652-0005	K	stainless steel	28	13	M5	12	15	13,3	2,3	8
06652-0006	K	stainless steel	28	13	M6	12	15	13,3	2,3	8
06652-0806	K	stainless steel	40	16	M6	14,6	21	19	4	12
06652-0808	K	stainless steel	40	16	M8	14,6	21	19	4	12

