

Item description/product images



Description

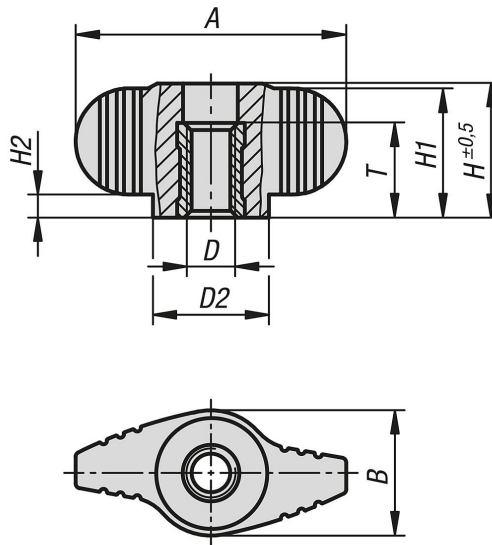
Material:

Grip thermoplastic.  
 Bush steel 5.8 or stainless steel 1.4305.

Version:

Steel trivalent blue passivated.  
 Stainless steel, bright.

Drawings



Overview of items

Order No.	Component material	A	B	D	D2	H	H1	H2	T
06652-1004	steel	28	13	M4	12	14,3	13,3	2,3	10
06652-1005	steel	28	13	M5	12	14,3	13,3	2,3	10
06652-1006	steel	28	13	M6	12	14,3	13,3	2,3	10
06652-1806	steel	40	16	M6	14,6	19,8	19	4	14
06652-1808	steel	40	16	M8	14,6	19,8	19	4	14
06652-10004	stainless steel	28	13	M4	12	14,3	13,3	2,3	10
06652-10005	stainless steel	28	13	M5	12	14,3	13,3	2,3	10
06652-10006	stainless steel	28	13	M6	12	14,3	13,3	2,3	10
06652-10806	stainless steel	40	16	M6	14,6	19,8	19	4	14
06652-10808	stainless steel	40	16	M8	14,6	19,8	19	4	14