

## Item description/product images



## Description

**Material:**

Brass.

**Version:**

nickel-plated.

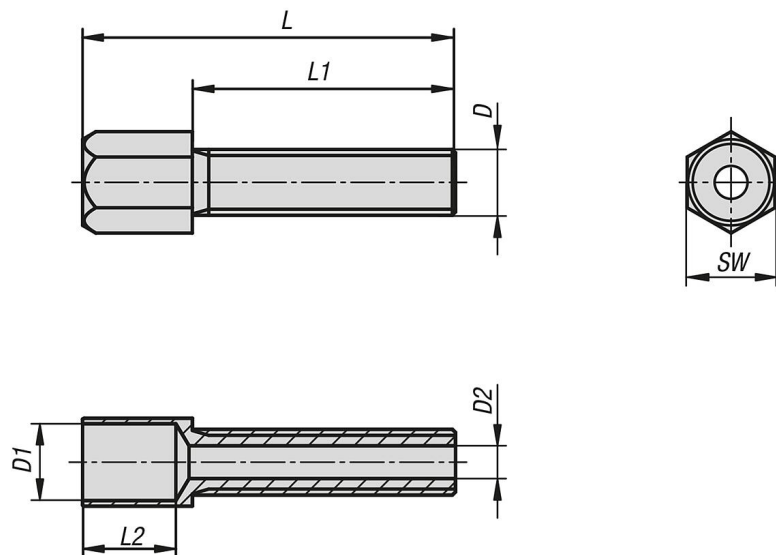
**Note:**

The setscrew is a replacement part for the indexing plungers with remote actuation 03096-10.

**Accessory:**

Wire cable with ball 03096-15.  
 Traction sleeve with inner tube 03096-20.  
 End sleeve 03096-25.  
 Screw nipple 03096-35.  
 Hex nut 07212.

## Drawings



## Overview of items

Order No.	Main material	Surface finish body	D	D1	D2	L	L1	L2	SW
03096-30-0306X24	brass	nickel-plated	M6	7	3	34	24	8,5	8