

Item description/product images

**Description****Material:**

Bronze with graphite inserts.

Version:

Self-lubricating.

Note:

The sliding plates slide in a vertical and horizontal direction.
The bronze slide elements are maintenance-free and wear-resistant.
The graphite inserts provide lifetime lubrication.

Technical data:

Material properties:

Base alloys: CuZn25Al5Mn4Fe3-C.

Density: 8.2 kg/dm³.

Flexural fatigue strength: +/- 150 MPa.

Modulus of elasticity: 120,000 N/mm².

Coefficient of friction: 0.05 - 0.12.

Max. speed: 0.5 m/s.

Thermal conductivity: 50 W/(mK).

Coefficient of thermal expansion: 18x10⁻⁶ K⁻¹.

Electrically conductive: 7-8 m/(Ω·m-1).

Solid lubricant content: 20-25%.

Static surface pressure: 50 N/mm².

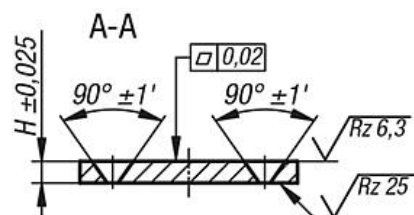
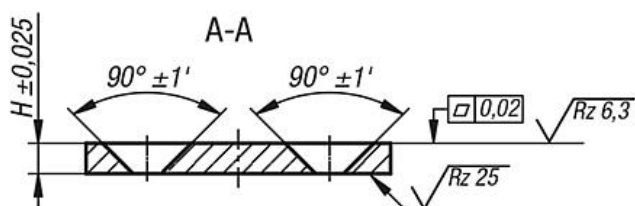
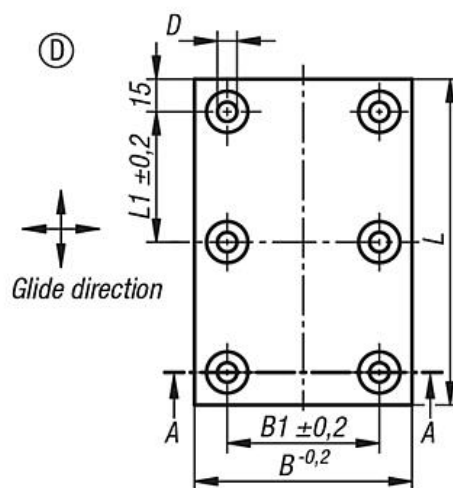
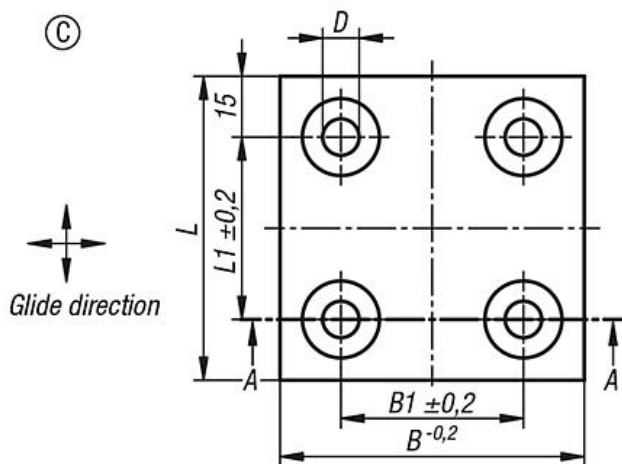
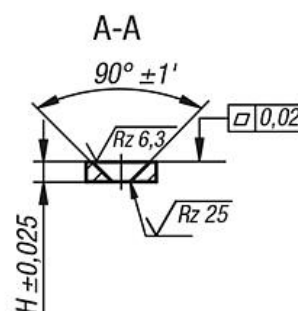
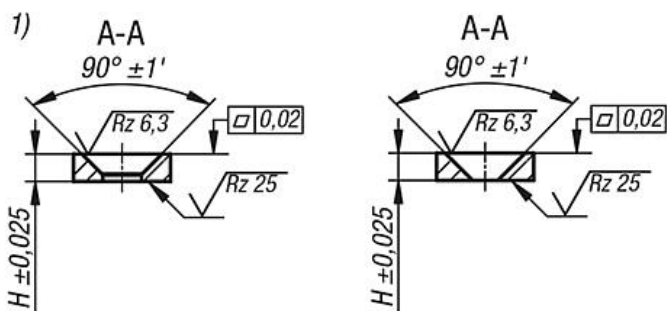
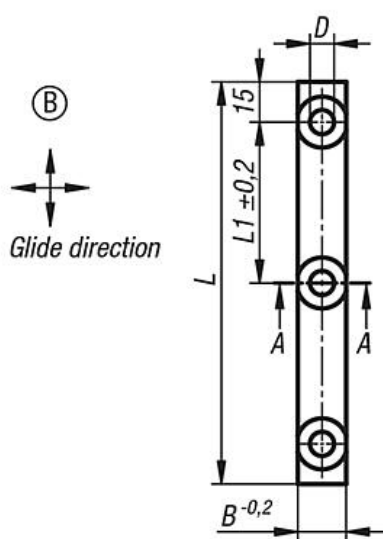
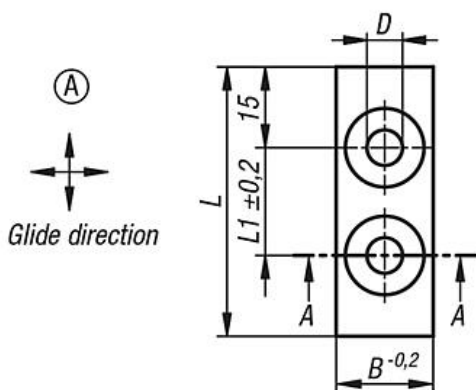
Dynamic surface pressure: 35 N/mm².

Temperature range:

Up to 230 °C.

Drawing reference:

1) Cross section of 23765-01-018050, 23765-01-018075 and 23765-01-018100.



Overview of items

Order No.	Form	B	D	H	L	L1
23765-01-018050	A	18	6,6	5	50	20
23765-01-018075	A	18	6,6	5	75	45
23765-01-018100	A	18	6,6	5	100	70
23765-01-028050	A	28	9	5	50	20
23765-01-028075	A	28	9	5	75	45
23765-01-028100	A	28	9	5	100	70
23765-01-038050	A	38	9	5	50	20
23765-01-038075	A	38	9	5	75	45
23765-01-038100	A	38	9	5	100	70
23765-01-048075	A	48	9	5	75	45
23765-01-048100	A	48	9	5	100	70
23765-01-048125	A	48	9	5	125	95
23765-01-018150	B	18	9	5	150	60
23765-01-028150	B	28	9	5	150	60
23765-01-038150	B	38	9	5	150	60
23765-01-048150	B	48	9	5	150	60
23765-01-075075	C	75	9	5	75	45
23765-01-075100	C	75	9	5	100	70
23765-01-075125	C	75	9	5	125	95
23765-01-100100	C	100	9	5	100	70
23765-01-100125	C	100	9	5	125	95
23765-01-075150	D	75	9	5	150	60
23765-01-100150	D	100	9	5	150	60