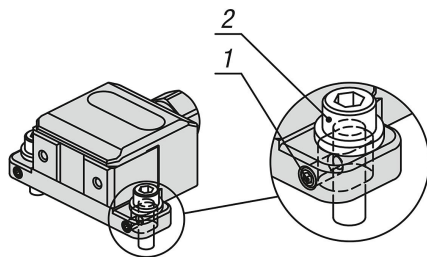
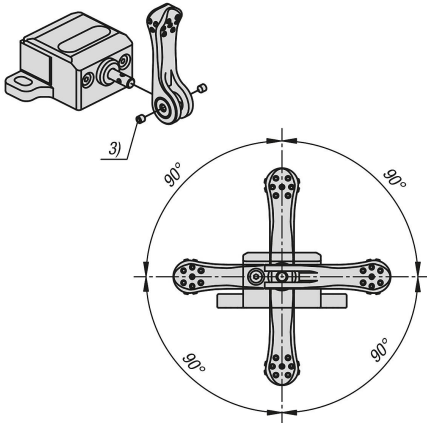


Item description/product images



Description

Material:

Body QT steel.
Tension lever QT steel.

Version:

Body black oxidised.
Clamping face ground.
Tension lever Form B black oxidised.
Tension lever Form C nickel-plated.

Note:

Tighten the setscrew to prevent the side clamp sliding back during the clamping process. (Form A)

The tension lever can be user-friendly aligned horizontally and vertically in 90° increments by loosening the grub screw.

The workpiece can be clamped with a constant clamping force through the integrated surface on the Form C tension lever.

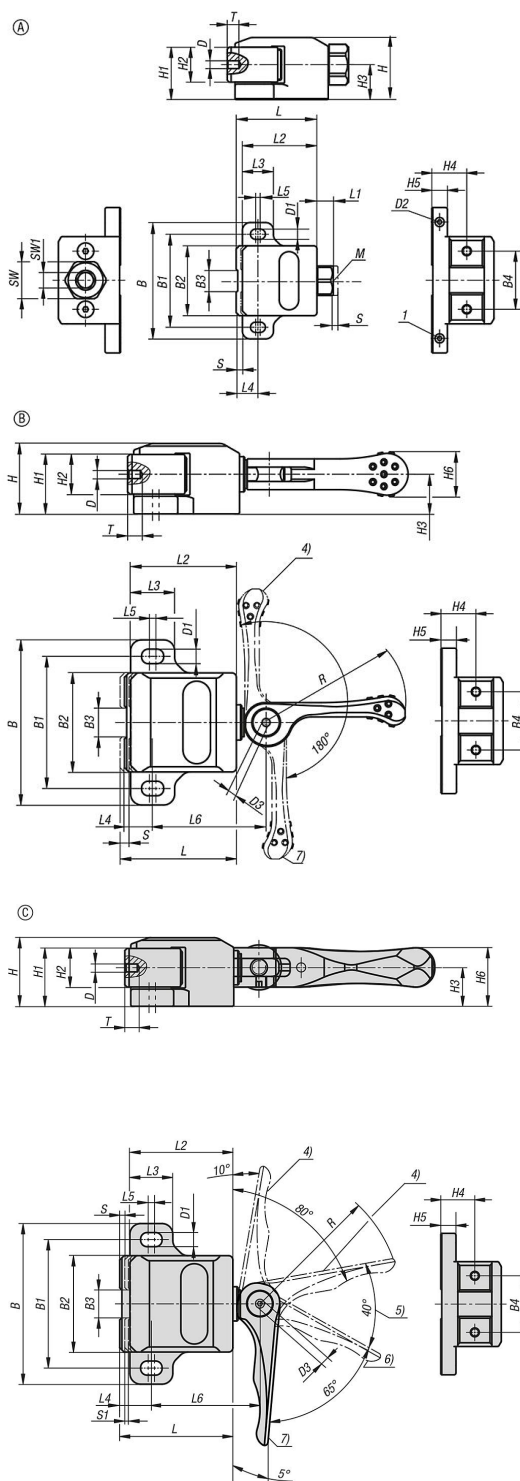
Advantages:

- High clamping force
- Ground clamping face
- Pull-down force prevents the workpiece lifting

Drawing reference:

- 1) Setscrew
- 2) Cap screw
- 3) Grub screw
- 4) Loosened position
- 5) Clamping travel
- 6) Clamping start position
- 7) Clamped position

Drawings



Overview of items

Order No.	Form	B	B1	B2	B3	B4	D	D1	D2	D3	H	H1	H2	H3	H4	H5	H6
04579-1400	A	100	80	60	20	40	M5	8,6	M5x8	-	40	33	22	22	22	10	-
04579-0900	A	75	60	45	15	30	M4	6,6	M4x6	-	32	27	18	18	18	8	-
04579-03001	B	100	80	60	20	40	M5	8,6	-	M5x6	40	33	22	22	22	10	24
04579-02001	B	75	60	45	15	30	M4	6,6	-	M4x5	32	27	18	18	18	8	19
04579-01202	C	100	80	60	20	40	M5	8,6	-	M5x6	40	33	22	22	22	10	18
04579-00602	C	75	60	45	15	30	M4	6,6	-	M4x5	32	27	18	18	18	8	14

Overview of items

Order No.	Form	L	L1	L2	L3	L4	L5	L6	R	SW	SW1	T	Travel S	Hand force FH N	S1= Pre-tension travel	Clamping force kN	Tightening torque max. Nm
04579-1400	A	69	13	63	26	19	4	-	-	24	10	8	4	-	-	14	50
04579-0900	A	52	10	48	20	14	3	-	-	19	8	6	3	-	-	9	25
04579-03001	B	67	-	63	26	17	4	67	80	-	-	8	2,2	200	-	3	-
04579-02001	B	51	-	48	20	13	3	51,5	63	-	-	6	1,6	150	-	2	-
04579-01202	C	67	-	63	26	17	4	67	80	-	-	8	0,4	50	0,8	1,2	-
04579-00602	C	51	-	48	20	13	3	51,5	63	-	-	6	0,3	40	0,8	0,6	-