

Item description/product images

INCH
Parts



Description

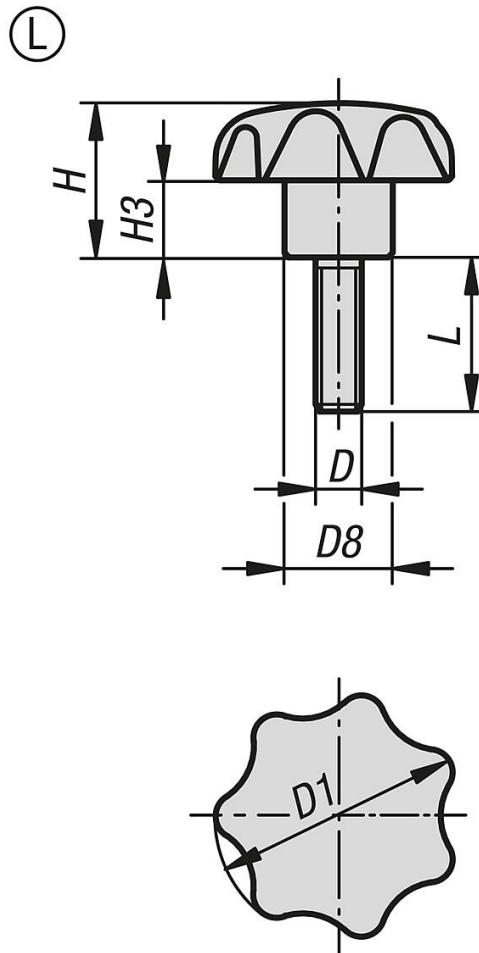
Material:

Black thermoplastic, threaded bolt in steel

Version:

Screw trivalent blue passivated.

Drawings



Overview of items

Order No.	Form	D	D1	D8	H	H3	L
06220-20-425A1X10	L	10-32	25	12	16	8	10
06220-20-425A1X20	L	10-32	25	12	16	8	20
06220-20-425A1X30	L	10-32	25	12	16	8	30
06220-20-425A1X40	L	10-32	25	12	16	8	40
06220-20-425A2X20	L	1/4-20	25	12	16	8	20

Overview of items

Order No.	Form	D	D1	D8	H	H3	L
06220-20-425A2X30	L	1/4-20	25	12	16	8	30
06220-20-425A2X40	L	1/4-20	25	12	16	8	40
06220-20-432A2X20	L	1/4-20	32	14	20	10	20
06220-20-432A2X30	L	1/4-20	32	14	20	10	30
06220-20-432A2X40	L	1/4-20	32	14	20	10	40
06220-20-432A3X20	L	5/16-18	32	14	20	10	20
06220-20-432A3X30	L	5/16-18	32	14	20	10	30
06220-20-432A3X40	L	5/16-18	32	14	20	10	40
06220-20-440A3X20	L	5/16-18	40	18	25	13	20
06220-20-440A3X30	L	5/16-18	40	18	25	13	30
06220-20-440A3X40	L	5/16-18	40	18	25	13	40
06220-20-440A4X20	L	3/8-16	40	18	25	13	20
06220-20-440A4X40	L	3/8-16	40	18	25	13	40
06220-20-440A4X50	L	3/8-16	40	18	25	13	50
06220-20-440A4X60	L	3/8-16	40	18	25	13	60
06220-20-450A4X20	L	3/8-16	50	22	32	17	20
06220-20-450A4X40	L	3/8-16	50	22	32	17	40
06220-20-450A4X50	L	3/8-16	50	22	32	17	50
06220-20-450A4X60	L	3/8-16	50	22	32	17	60
06220-20-450A5X30	L	1/2-13	50	22	32	17	30
06220-20-450A5X60	L	1/2-13	50	22	32	17	60