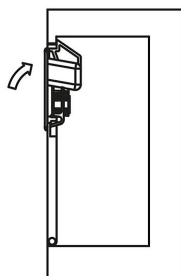
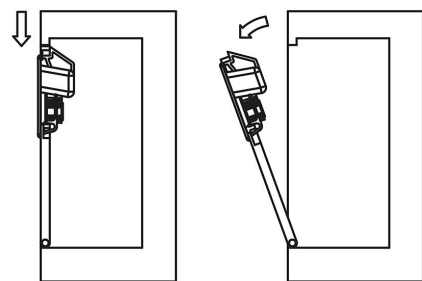
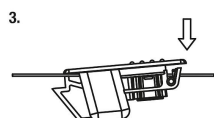
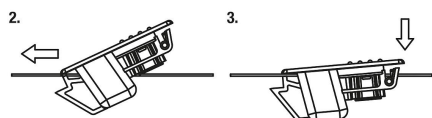
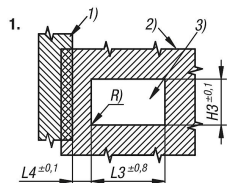


## Item description/product images



## Assembly:



## Description

**Material:**

Lock ABS.

Spring stainless steel 1.4310.

**Version:**

Lock black.

Spring bright.

**Note:**

These snap locks are designed for flush installation in doors, hatches and covers.

Available in six different sizes for different door leaf thicknesses.

Flammability rating: listed UL94-HB.

**Type of operation:**

When the grip is pressed down, the latch retracts and the door can be opened. When the door is pushed to, a spring automatically latches it shut.

**Application:**

- Automobile industry
- Medical technology
- Machine construction
- Equipment construction
- Industrial control cabinets

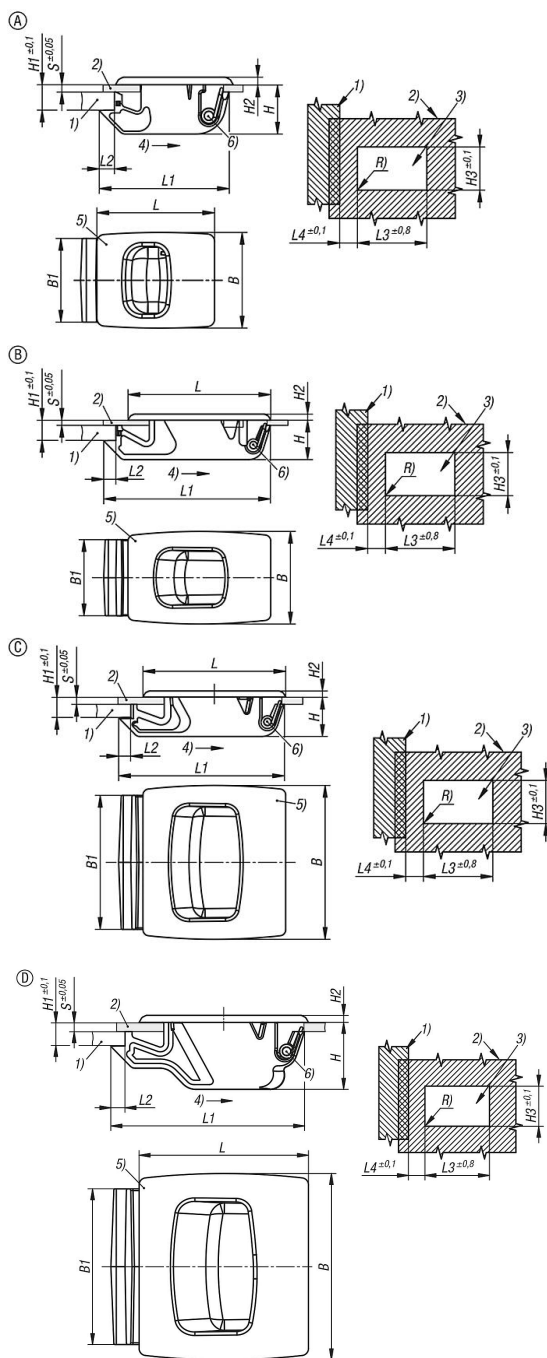
**Assembly:**

1. Produce a burr-free mounting cutout as shown in the drawing.
2. Insert the lock into the cutout from the front and push forwards.
3. Press the lock down to clip in.

**Drawing reference:**

- 1) Frame
- 2) Door leaf
- 3) Mounting cutout
- 4) Actuation direction
- 5) Lock
- 6) Spring

Drawings



Overview of items

Order No.	Form	Form definition	B	B1	H	H1 = Total holding area	H2	H3	L	L1	L2	L3	L4	R	S = Door thickness in mm	Temperature range °C
05596-42-1215250	A	-	25,2	22,1	13	6,7	2	22,4	31	35,3	4	22	8,5	max. 0,25	1,2	-40 to 60
05596-42-1515250	A	-	25,2	22,1	13	6,7	2	22,4	31	35,3	4	22	8,5	max. 0,25	1,5	-40 to 60
05596-42-1315300	B	small	30,5	25,1	13	6,7	2	25,4	47	55	4	38,1	12,7	max. 0,25	1,3	-40 to 60
05596-42-1615300	B	small	30,5	25,1	13	6,7	2	25,4	47	55	4	38,1	12,7	max. 0,25	1,6	-40 to 60
05596-42-2015500	C	medium	50,8	44,2	13	6,7	2	44,5	47	54,6	4	38,1	12,7	max. 0,25	2	-40 to 60
05596-42-2221500	D	large	52,9	44,2	19	6,7	2	44,5	48	56	4	38,1	12,7	max. 0,25	2,2	-40 to 60

