

Item description/product images



Description

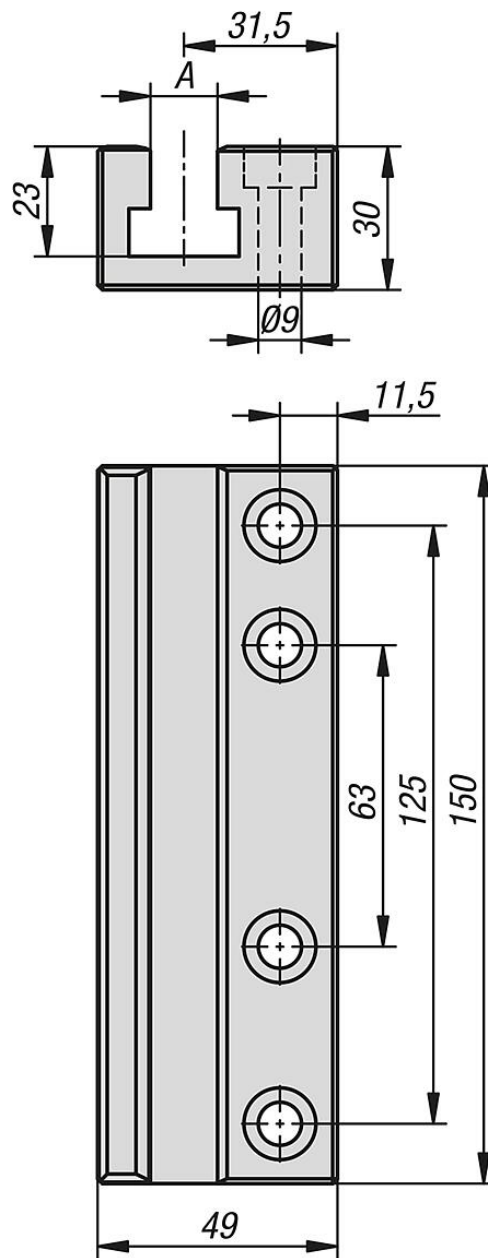
Material:
Steel.

Version:
black oxide finish

Note:
When using the slotted rail, every position on the machine table can be reached.

With 14 mm T-slot. Matches T-slot spacings of 63, 100 and 125 mm.

Drawings



Overview of items

| Order No. | A |
|-------------|----|
| 04395-14-14 | 14 |