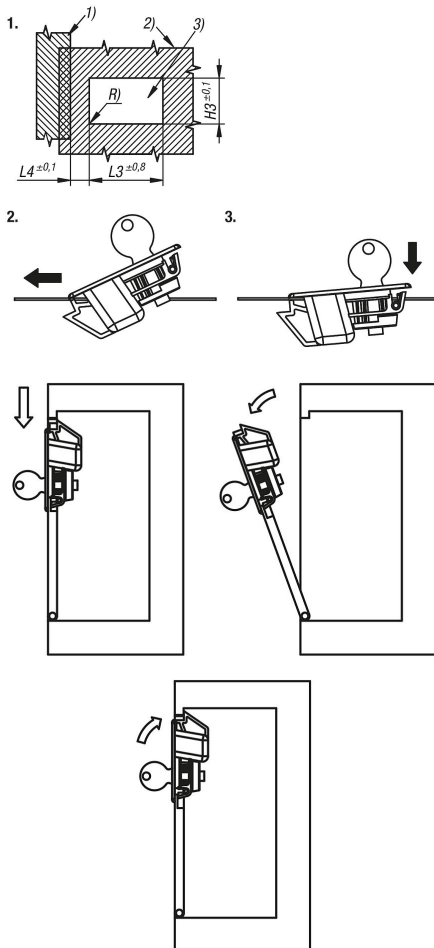


Item description/product images



Assembly:



Description

Material:

Lock ABS.
Spring stainless steel 1.4310.

Version:

Lock black.
Spring bright.

Note:

These snap locks are designed for flush installation in doors, hatches and covers. Available in two different sizes for different door leaf thicknesses. Additional security with lockable variants. The locks on the lockable snap locks have a single key system, i.e. all locks can be opened with the same key.

Flammability rating: listed UL94-HB.

Form A: lockable

Form B: not lockable

Type of operation:

Form A: By turning the key and then pushing the handle, the lock is moved to the open position and the door can be opened. When the door is pushed to, a spring automatically latches it shut. The cylinder lock provides additional security.

Form B: When the grip is pressed down, the latch retracts and the door can be opened.

When the door is pushed to, a spring automatically latches it shut.

Application:

- Automobile industry
- Medical technology
- Machine construction
- Equipment construction
- Industrial control cabinets

Assembly:

1. Produce a burr-free mounting cutout as shown in the drawing.
2. Insert the lock into the cutout from the front and push forwards.
3. Press the lock down to clip in.

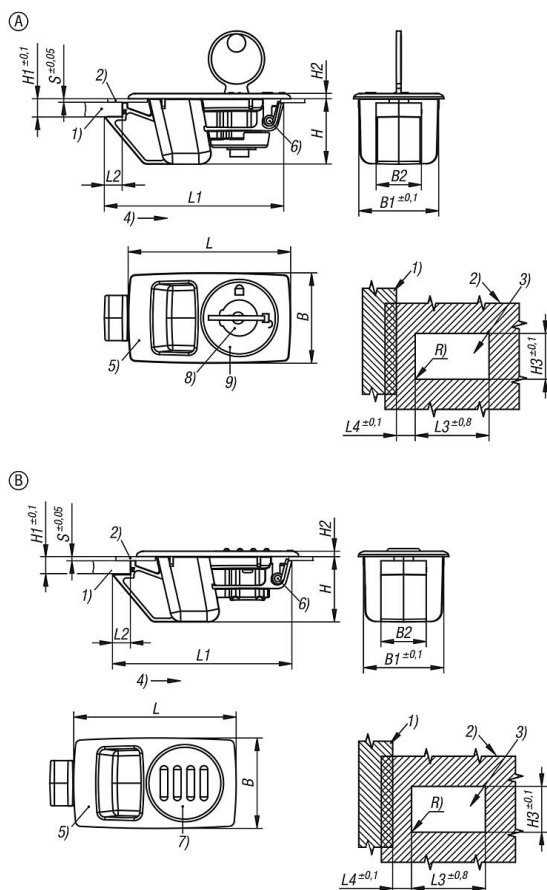
Supplied with:

The lockable snap locks are each supplied with 2 keys.

Drawing reference:

- 1) Frame
- 2) Door leaf
- 3) Mounting cutout
- 4) Actuation direction
- 5) Lock
- 6) Spring
- 7) Cover cap (Form B)
- 8) Cylinder lock (Form A)
- 9) Display (Form A)

Drawings



Overview of items

Order No.	Form	Form definition	B	B1	B2	H	H1 = Total holding area	H2	H3	L	L1	L2	L3	L4
05596-44-10926340	A	lockable	34	30,2	17	24,6	6,7	2	30,5	61	67,4	6,7	49	12,5
05596-44-11326340	A	lockable	34	30,2	17	24,6	6,7	2	30,5	61	67,4	6,7	49	12,5
05596-44-00926340	B	not lockable	34	30,2	17	24,6	6,7	2	30,5	61	67,4	6,7	49	12,5
05596-44-01326340	B	not lockable	34	30,2	17	24,6	6,7	2	30,5	61	67,4	6,7	49	12,5

Order No.	R	S = Door thickness in mm	Temperature range °C
05596-44-10926340	max. 0,25	0,9-1,2	-40 to 60
05596-44-11326340	max. 0,25	1,3-1,6	-40 to 60
05596-44-00926340	max. 0,25	0,9-1,2	-40 to 60
05596-44-01326340	max. 0,25	1,3-1,6	-40 to 60