

Item description/product images



**Description**

**Material:**  
Acetal copolymer (POM).  
96202-7508 PVC.

**Version:**  
Flexible hose, blue.  
Accessories, orange.  
96202-7508 white.

**Note:**  
Flexible hose for extracting swarf, smoke, lubricant mist, steam, gases and other media; can be connected to a central extraction system or an industrial vacuum cleaner. It can be extended and shortened as needed. Free hanging lengths of up to 100 cm are possible without the need for support; 360° loops can be formed with a radius of 150 mm. Precise adjustment, vibration resistant, position reliability. Combinable with nozzles and accessories as required.

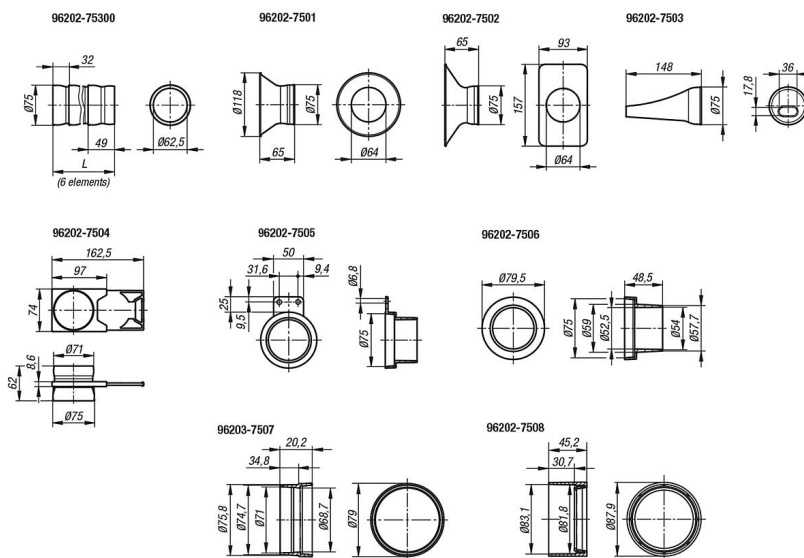
Resistant to: acids below 65 °C, alcohols, aromatic solvents, petrol, grease, hydrocarbons, oil, saline solutions.

Not resistant to: chlorine, acetone, chlorinated solvents, strong bases, ethyl acetate, water above 65 °C.

The material is not electrically conductive, so it is also suitable for use on EDM's.

**Temperature range:**  
Maximum temperature 80 °C.  
The melting point is 165 °C.

Drawings



Overview of items

Order No.	Article description	Item	Version 1	Image
96202-75300	FLEXIBLE HOSE SIZE:75 L=300, BLUE	Flexible Hose		

## Overview of items

Order No.	Article description	Item	Version 1	Image
96202-7501	ROUND NOZZLE SIZE:75	Round Nozzle		
96202-7502	RECTANGULAR NOZZLE SIZE:75	Rectangular Nozzle		
96202-7503	OVAL NOZZLE CONICAL SIZE:75	Oval Nozzle	conical	
96202-7504	GATE VALVE SIZE:75	Gate Valve		
96202-7505	ADAPTER F. INDUST. VACUUM CLEANER SIZE:75	Adapter	for industrial vacuum cleaner	
96202-7506	ADAPTER F. INDUST. VACUUM CLEANER SIZE:75	Adapter	for industrial vacuum cleaner	
96202-7507	ADAPTER FÜR BLECHROHR SIZE:75 PLASTIC, BLUE	Adapter		
96202-7508	ADAPTER FÜR KUNSTSTOFFROHR NW65 SIZE:75 PLASTIC, WHITE	Adapter		