

Item description/product images



Description

Material:

Housing, actuator and fastening nut stainless steel 1.4404.
 O-rings silicone, red or blue, FDA-compliant.
 Tongue and locking screw stainless steel 1.4301.

Version:

Bright.

Note:

The quarter-turn lock fulfils the hygiene requirements of DIN EN ISO 14159 and DIN EN 1672-2.

Particularly suitable for use in the food and beverage industry.

O-rings (FDA-compliant) prevent the ingress of liquid and formation of contamination.

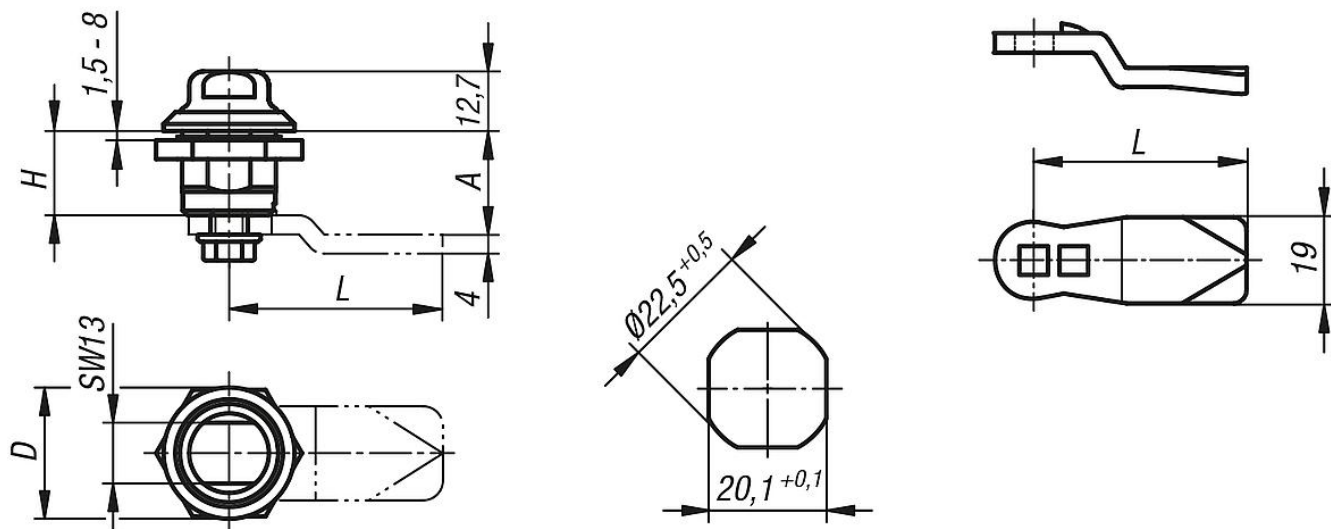
IP65 / IP67 / IP69K in accordance with DIN EN 60529 / DIN 40050.

Please order the tongue in the desired version separately. Every tongue can be combined with every housing.

Accessory:

Tongue for stainless steel quarter-turn lock 05566-07.

Drawings



Overview of items

Quarter-turn locks, stainless steel in Hygienic DESIGN

Order No.	Component colour	Actuation	D	H
05595-01-18	red	double flat	28	18
05595-01-181	blue	double flat	28	18

Tongue for quarter-turns lock

Overview of items

Order No.	A	L
05566-07-45060	6	45
05566-07-45080	8	45
05566-07-45100	10	45
05566-07-45140	14	45
05566-07-45160	16	45
05566-07-45180	18	45
05566-07-45200	20	45
05566-07-45220	22	45
05566-07-45240	24	45
05566-07-45260	26	45
05566-07-45280	28	45
05566-07-45320	32	45
05566-07-45500	50	45