

Item description/product images



Description

Material:

Body steel.
Quick-release mount aluminium.

Version:

Body hardened and chemically nickel-plated.
Quick-release mount hard coated.

Note:

Small parts clamp with various clamping faces for clamping small items. Flat and rotationally symmetrical parts can be clamped, and parts can be held on internal diameters. Perfect for use by measurement technology.

Form C is a stepped mandrel collet with each step increasing by 3 mm (smallest diameter is 4 mm).

The small parts clamps can be connected to all (basic) quick-action clamps to form a quick-change system. This enables the small parts clamps to be mounted quickly and effectively on various quick-release holders.

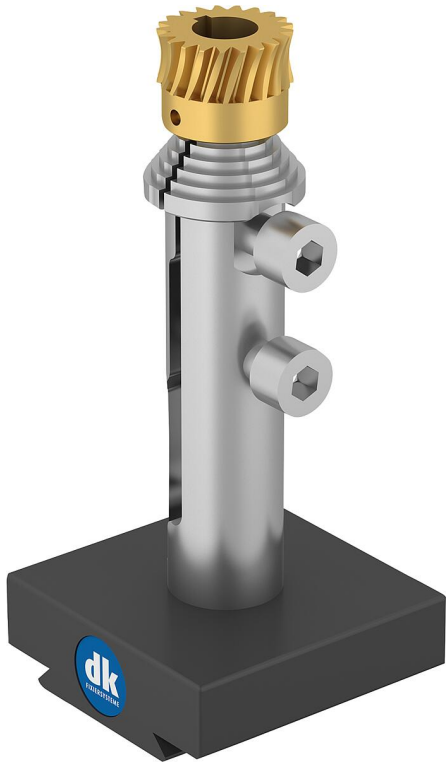
Accessory:

Baseplates 34031.
Positioning stage 34031-05.
Basic quick-action clamp 33227-05.
Basic quick-action clamp 34006.
Basic quick-action clamp 34021.
Cross table 34031-10.
Quick-action clamp with angle element 33227-10.
Rotatable quick-action clamp with angle element 34007.
Rotatable quick-action clamp 34007-02.

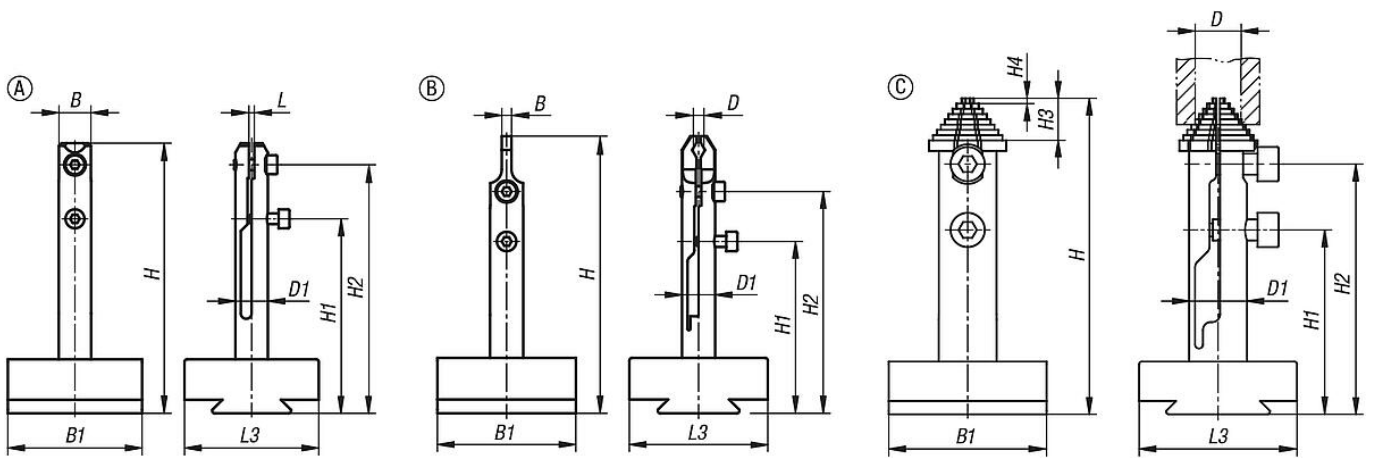
Drawing reference:

Form A: smooth
Form B: with prism
Form C: mandrel collet

Item description/product images



Drawings



Overview of items

Small parts clamp

Order No.	Form	B	B1	D min.	D max.	D1	H	H1	H2	H3	H4	L min.	L max.	L3
34012-110005	A	12	60	-	-	12	100	72	92	-	-	0,5	5	60
34012-210006	B	3,5	60	3,2	6	12	100	62	80	-	-	-	-	60
34012-312030	C	-	60	5	30	22	120	70	95	16	2	-	-	60

