

## Item description/product images



## Description

**Material:**

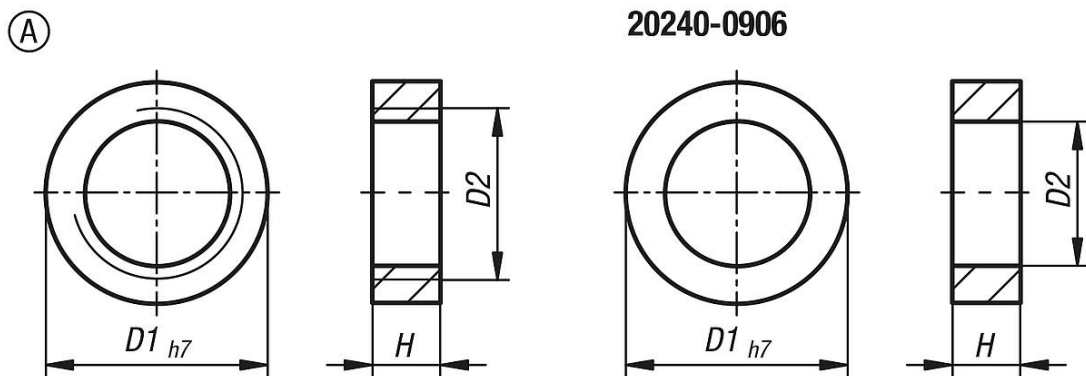
Stainless steel 1.4301.

**Note:**

The centring rings are used to precisely join modules, or to mount the modules indirectly using adapter plates.

The internal thread is used to pull the centring rings out.

## Drawings



## Overview of items

Order No.	Form	D1	D2	H
20240-0403	A	4	M3	2
20240-0504	A	5	M4	2
20240-0705	A	7	M5	3
20240-0906	A	9	6,4	4
20240-1008	A	10	M8	4
20240-1208	A	12	M8	4
20240-1310	A	13	M10	4