

Item description/product images

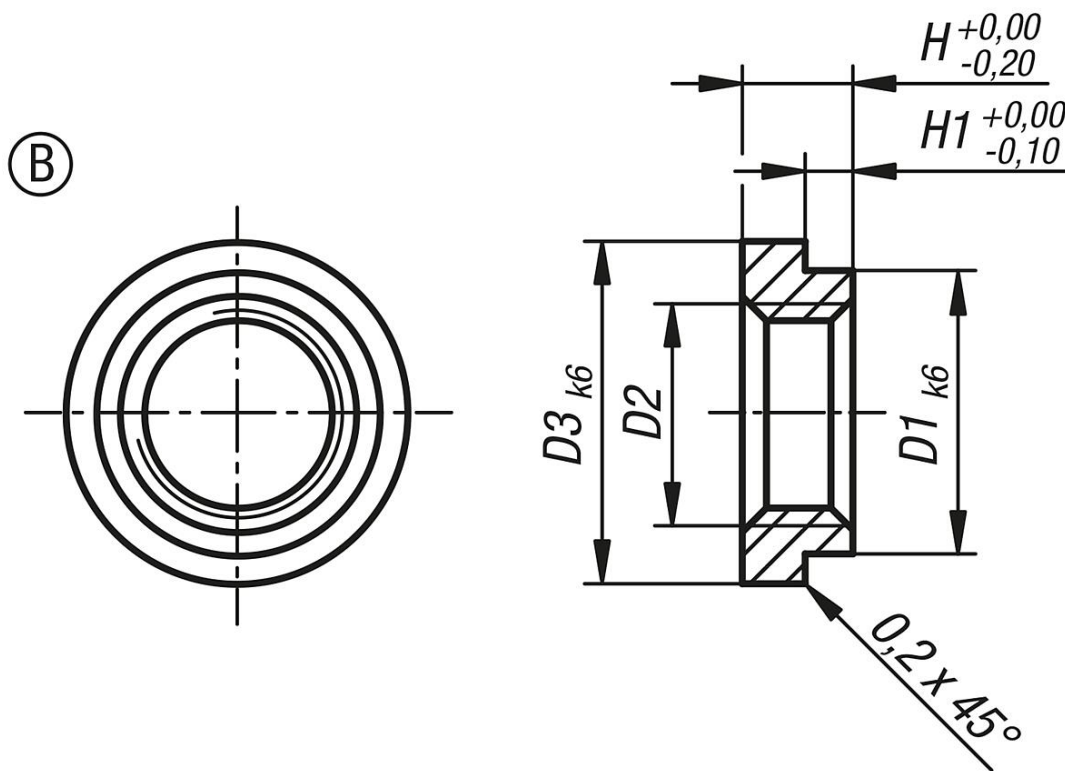


Description

Material:
Stainless steel 1.4301.

Note:
The centring rings are used to precisely join modules, or to mount the modules indirectly using adapter plates.
The internal thread is used to pull the centring rings out.

Drawings



Overview of items

Order No.	Form	D1	D2	D3	H	H1
20240-070905	B	7	M5	9	3,5	1,5
20240-091206	B	9	M6	12	4	2

