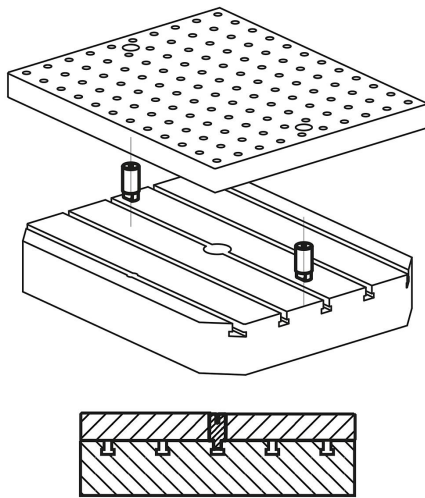


## Item description/product images



## Description

**Product description:**

Locating pins are used to position basic elements on machine tables.

**Material:**

Carbon steel.

**Version:**

Tempered and black oxidised.

Precision diameters and guide faces ground.

**Note:**

Form A

Locating pin for baseplates with grid holes.

Form B

Locating pin for baseplates with T-slots.

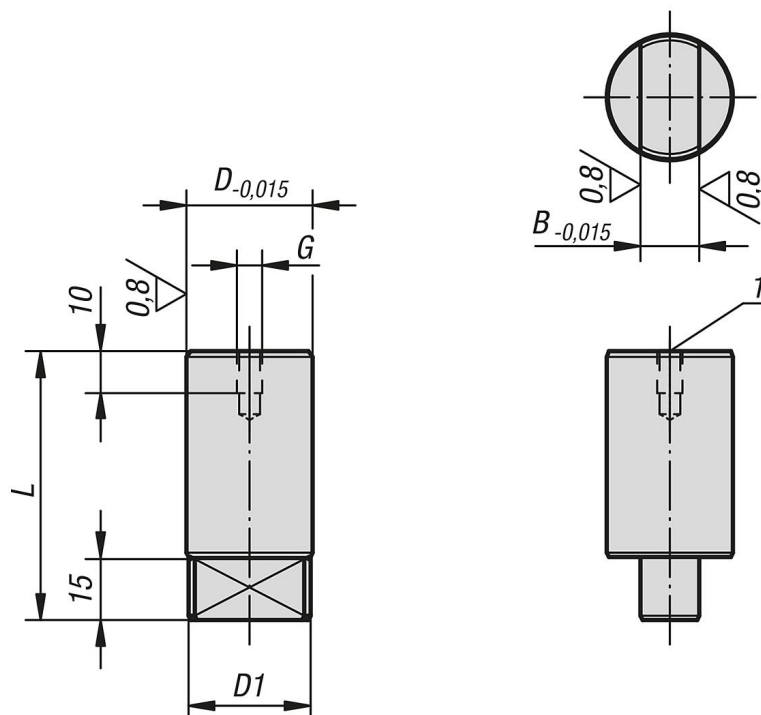
**Accessory:**

Baseplates 01126.

**Drawing reference:**

1) extractor hole

## Drawings



## Overview of items

Order No.	Form	B	D	D1	G	L
03152-14030	A	14	30	29	M6	64
03152-18030	A	18	30	29	M6	64
03152-20030	A	20	30	29	M6	64
03152-22030	A	22	30	29	M6	64
03152-140301	B	14	30	29	M8	51
03152-180301	B	18	30	29	M8	57