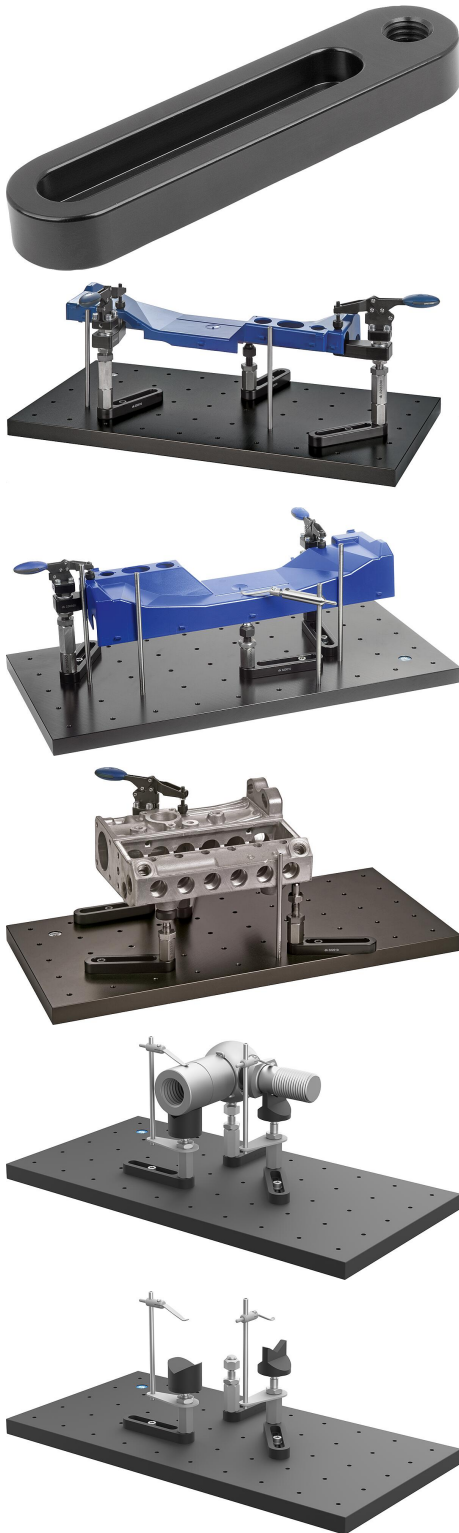


## Item description/product images

**Description**

**Material:**  
Aluminium.

**Version:**  
hard-coated.

**Note:**  
The base rail can be fastened to the baseplates 01042 using a cap screw and individually adjusted. Suitable extension pieces can be screwed into the tapped hole.

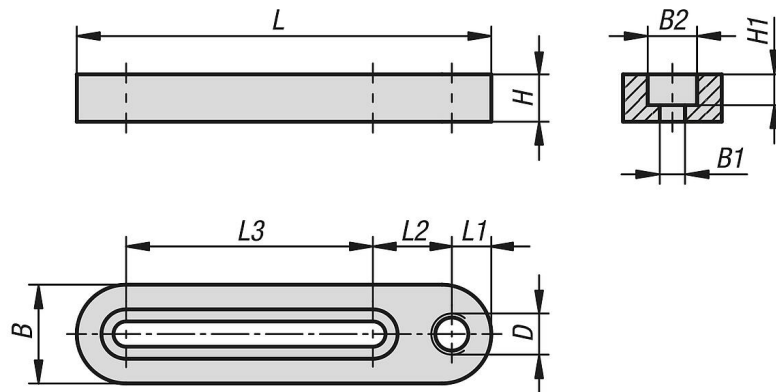
**Supplied with:**  
M6x14 cap screw and a matching washer.

**Accessory:**  
Baseplates 01042.  
Extension pieces 02035 and 02035-01.  
Jack screws 02037-01.  
Supports 02156.  
Self-aligning pads 02005.

Item description/product images



Drawings



Overview of items

Order No.	B	B1	B2	D	H	H1	L	L1	L2	L3
34000-15-10610	25	6,4	12,5	M10	12	7,8	105	10	20	62,5