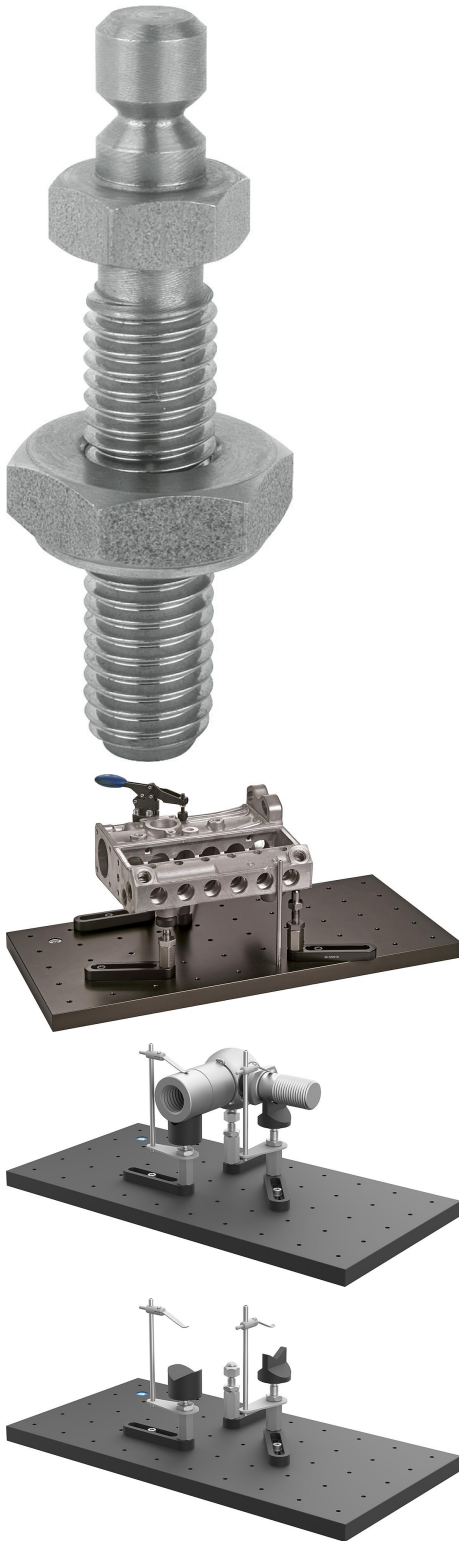


Item description/product images

**Description****Material:**

Stainless steel

Version:

Bright.

Note:

The supports can be combined with tapered, prism or flat attachments 02156-02 as required. The attachments are fastened using a grub screw. This enables the attachments to be exchanged quickly and easily and adapted to the corresponding workpiece.

Accessory:

Tapered attachment, prism attachment, flat attachment 02156-02.

Baseplate 01042.

Base rails 34000-15.

Extension pieces 02035-01.

Mounting plate 33263.

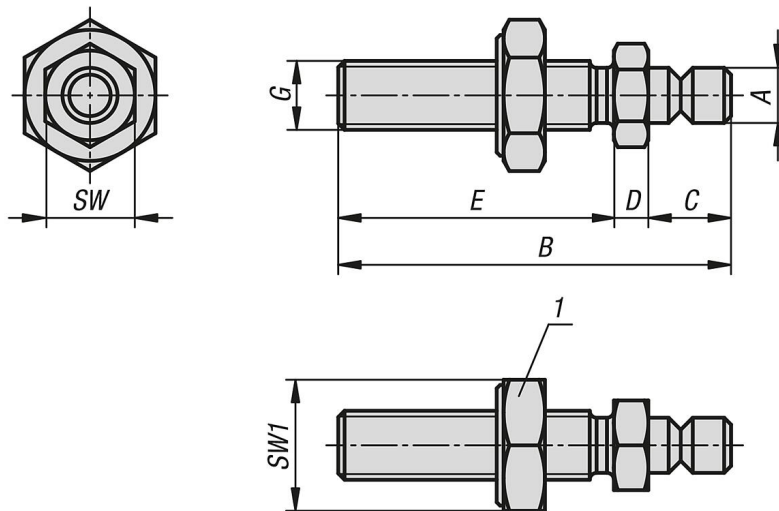
Drawing reference:

1) locknut

Item description/product images



Drawings



Overview of items

Supports stainless steel

Order No.	A	B	C	D	E	G	SW	SW1
02156-10040012	8	57	12	5	40	M10	13	19