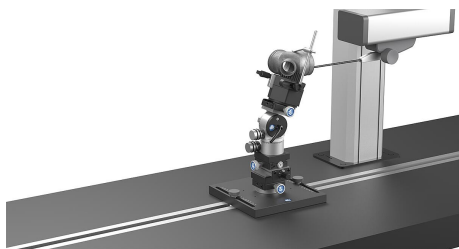


Item description/product images



Description

Material:

Body aluminium.
Shaft stainless steel.
Worm screw steel.

Version:

Body hard-coated.

Note:

The rotatable angle elements can be mounted on the basic quick-action clamps, base plates or positioning stages tool-free and can be combined and connected with all products with quick-release mounts.

The quick-action clamp can be rotated and pivoted. The pivoting range is between $+90^\circ$ and -55° . Pivoting is carried out via a worm drive. The clamp can be rotated infinitely through 360° or is indexed every 90° . It is locked using a knurled screw. The angular adjustment is scaled to within 2° .

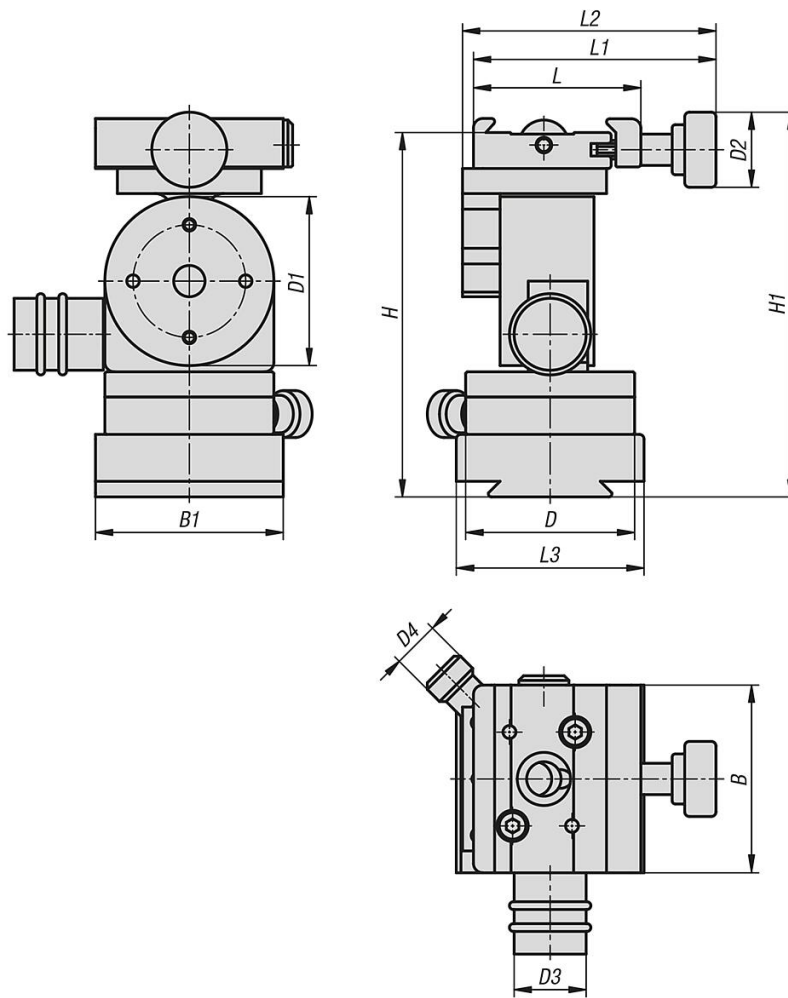
On request:

Rotation via a drive.

Accessory:

Baseplates 34031.
Positioning stage 34031-05.
Basic quick-action clamp 33227-05.
Basic quick-action clamp 34006.
Basic quick-action clamp 34021.
Cross table 34031-10.
Quick-action clamp with angle element 33227-10.
Rotatable quick-action clamp 34007-02.
Precision vice 33225-5003511.
Precision centric vice 34010.
Adapter 33225-20.
Precision 3-jaw chuck 34011.
Adapter 33226-05.
Needle support 33227.
Small part clamp 34012.
Magnetic V-block 34013.
V-block with spring finger 34013-05.
V-block 34013-10.

Drawings



Overview of items

Quick-action clamp, aluminium with angle element, rotatable

Order No.	B	B1	D	D1	D2	D3	D4	H	H1	L	L1	L2	L3
34007-1	60	60	54	54	24	23	15	116,5	123,1	53,5	77,5	81	60