

Item description/product images



Description

Material:

Body aluminium.
Shaft stainless steel.

Version:

Body hard-coated.

Note:

The rotatable quick-action clamps can be mounted on the basic quick-action clamps, base plates or positioning stages tool-free and can be combined and connected with all products with quick-release mounts.

The quick-action clamp can be rotated. The infinite rotation range is 360°. It is locked using a knurled screw.

The angular adjustment is scaled to within 2°.

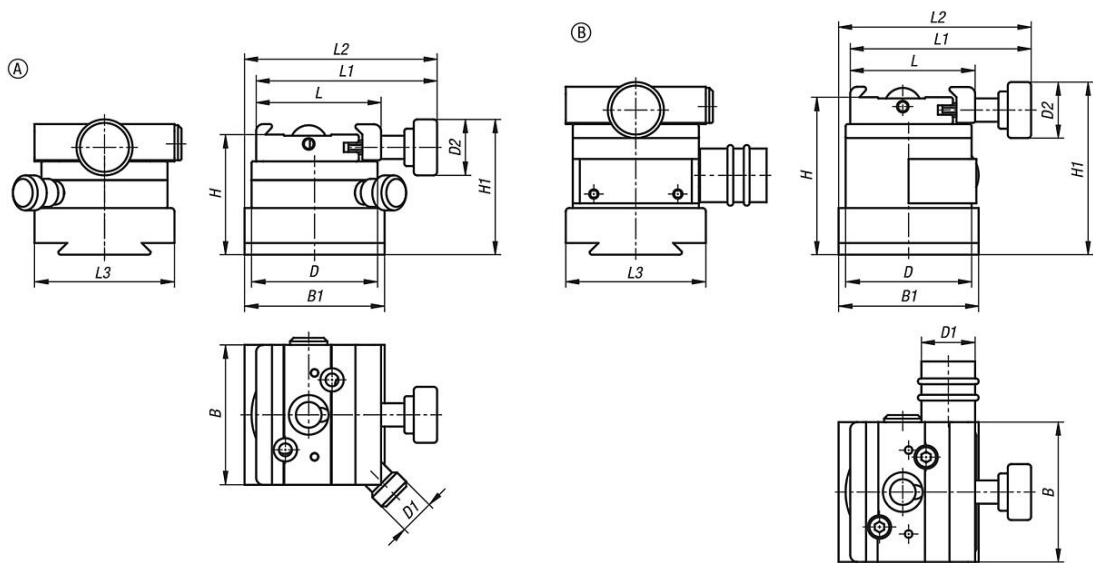
Accessory:

Baseplates 34031.
Positioning stage 34031-05.
Basic quick-action clamp 33227-05.
Basic quick-action clamp 34006.
Basic quick-action clamp 34021.
Cross table 34031-10.
Quick-action clamp with angle element 33227-10.
Rotatable quick-action clamp with angle element 34007.
Precision vice 33225-5003511.
Precision centric vice 34010.
Adapter 33225-20.
Precision 3-jaw chuck 34011.
Adapter 33226-05.
Needle support 33227.
Small part clamp 34012.
Magnetic V-block 34013.
V-block with spring finger 34013-05.
V-block 34013-10.

Drawing reference:

Form A: with 90° indexing
Form B: with fine adjustment

Drawings



Overview of items

Aluminium quick-action clamp rotatable

Order No.	Form	Form definition	B	B1	D	D1	D2	H	H1	L	L1	L2	L3
34007-02-1	A	-	60	60	54	15	24	51,5	58	53,5	77,5	82,5	60
34007-02-2	B	-	60	60	56	23	24	67,5	74	53,5	77,5	82,5	60