

Item description/product images

**Description****Material:**

V-block and quick-release mount aluminium.
Spring finger stainless steel.

Version:

V-block and quick-release mount hard coated.
Spring finger bright.

Note:

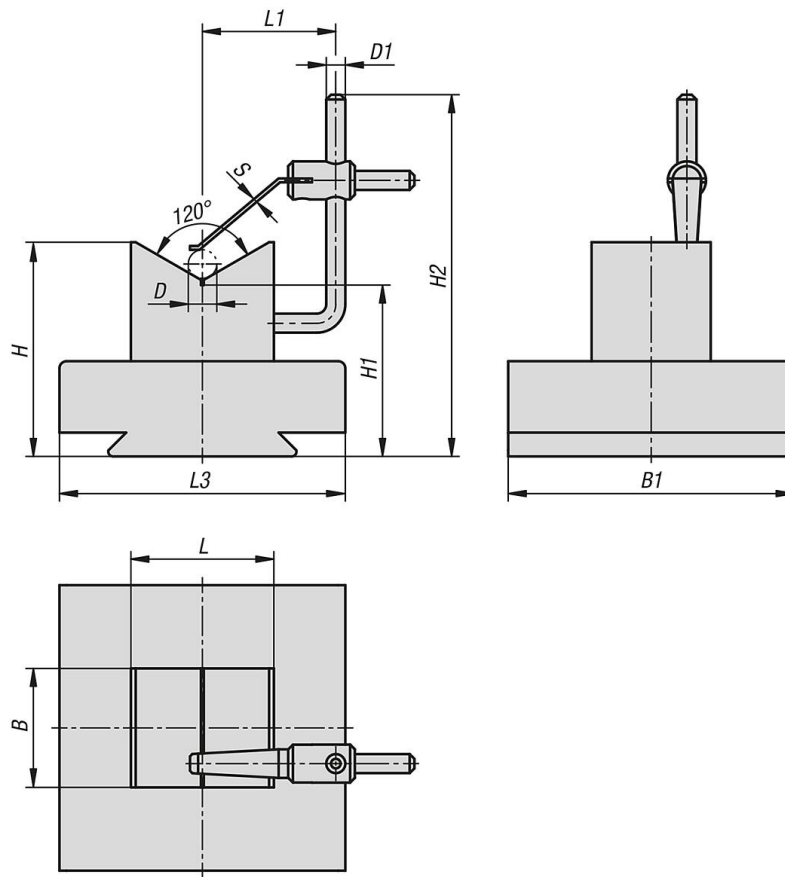
V-blocks for holding and positioning cylindrical workpieces via spring fingers.

The V-blocks with spring finger can be connected to all (basic) quick-action clamps to form a quick-change system. This enables the V-blocks to be mounted quickly and effectively on various quick-release holders.

Accessory:

Baseplates 34031.
Positioning stage 34031-05.
Basic quick-action clamp 33227-05.
Basic quick-action clamp 34006.
Basic quick-action clamp 34021.
Cross table 34031-10.
Quick-action clamp with angle element 33227-10.
Rotatable quick-action clamp with angle element 34007.
Rotatable quick-action clamp 34007-02.
Spring finger 33260.

Drawings



Overview of items

V-blocks, aluminium with spring finger

Order No.	B	B1	D min.	D max.	D1	H	H1	H2	L	L1	L3	S
34013-05-2504508	25	60	2	25	4	45	36	76	30	28,5	60	0,8
34013-05-1006508	10	60	2	25	4	65	56	96	30	28,5	60	0,8