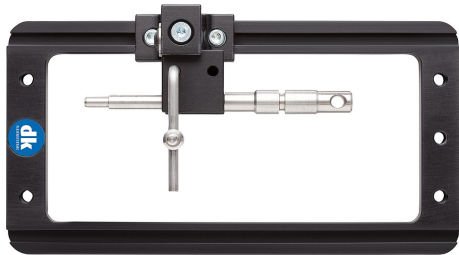
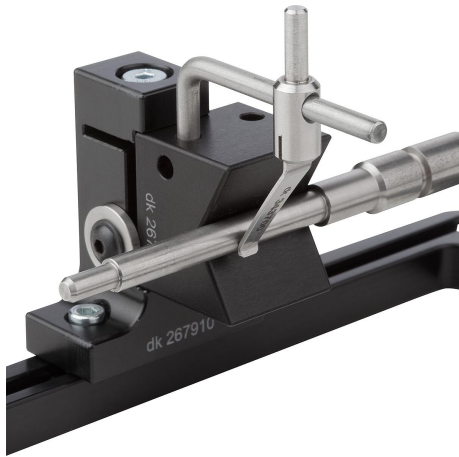


Item description/product images

**Description****Material:**

V-block aluminium.
Spring finger stainless steel.

Version:

V-block hard-coated.
Spring finger bright.

Note:

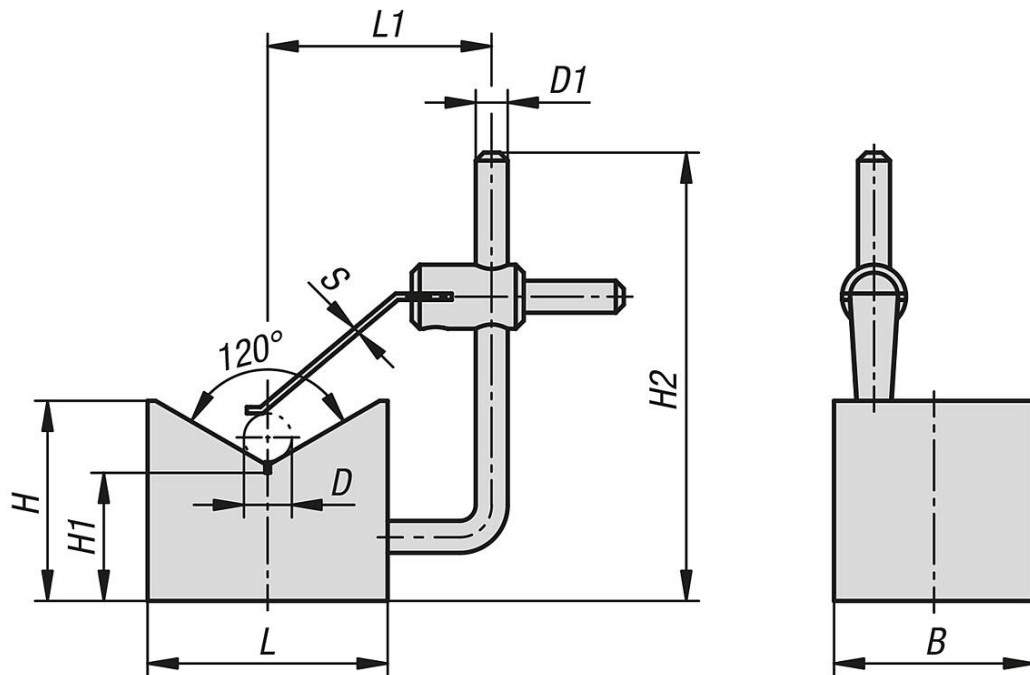
V-blocks for holding and positioning cylindrical workpieces via spring fingers.

Suitable for V-block holder 34023.

Accessory:

V-block holder 34023.
Spring finger 33260.

Drawings



Overview of items

V-blocks, aluminium with spring finger

Order No.	B	D min.	D max.	D1	H	H1	H2	L	L1	S
34023-02-2502508	25	2	25	4	25	16	56,2	30	28,5	0,8