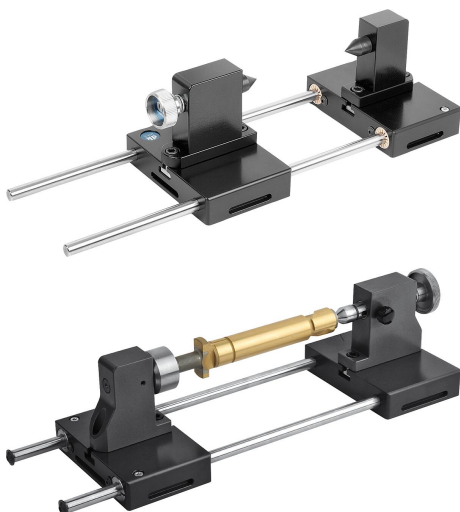


Item description/product images



Description

Material:

Tailstock aluminium.
Centres and guides steel.

Version:

Tailstock hard-coated.
Centres and guides nitro-carburised.

Note:

The tailstock consists of two halves with a fixed and a movable centre. The movable centre is spring-loaded and can be locked. The centres can be exchanged as required (centres for tailstocks 34024-06).

Suitable for optical measurements on projectors. Individually adjustable using the column guides and clamped using grub screws.

Can be attached to the measuring table using clamping claws.

Clamping spans of 0-210 mm are possible.

D min. and D max. refer to the workpiece being measured.

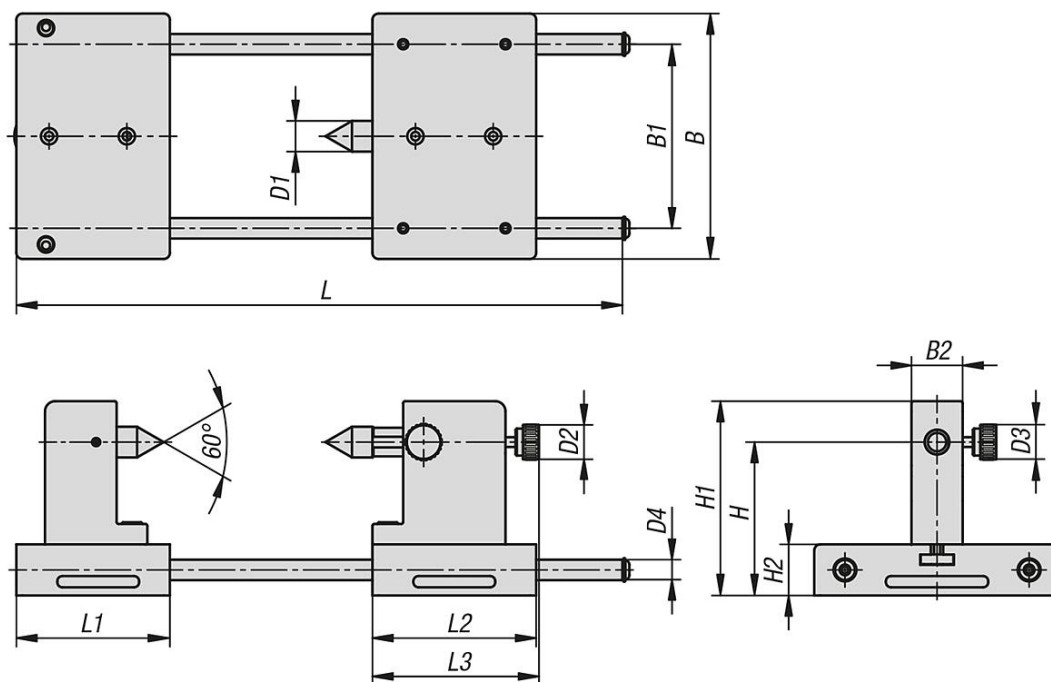
On request:

Tailstock and baseplate single.

Accessory:

Centres 34024-06.

Drawings



Overview of items

Overview of items

Tailstock, aluminium, with centre height 75 mm

| Order No. | B | B1 | B2 | D min. | D max. | D1 | D2 | D3 | D4 | H | H1 | H2 | L | L1 | L2 | L3 |
|-----------------|-----|----|----|-----------|-----------|----|------|------|----|----|----|----|-----|----|----|------|
| 34024-05-114370 | 120 | 90 | 25 | 0 | 14,5 | 15 | 29,9 | 14,8 | 10 | 75 | 95 | 25 | 370 | 75 | 80 | 88,3 |