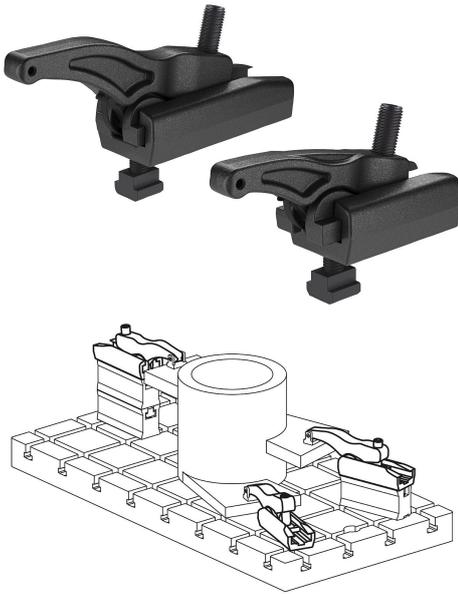


## Item description/product images

**Description****Material:**

Carbon steel.

**Version:**

Forged, black electro zinc-plated.

**Note:**

We recommend the use of screw paste to reduce wear on the adjusting screw. The height of the power clamp can also be increased with the riser. A riser is not supplied with the 44 kN and 60 kN power clamps.

Supplied with clamping element, support element, DIN 508 slot key and grade 12.9 bolt.

**Application:**

The height of the clamping arm can be infinitely adjusted using the adjustment screw and the workpiece can then be clamped.

**Advantages:**

- Very high retaining forces of 30–49 kN.
- Low height.
- Simple element assembly.
- Enables very fast, simple clamping.
- Infinitely adjustable height and length.
- Use in 14-28 mm T-slots or M12, M16, M20 grid systems.
- Thrust pad available in smooth and serrated versions.

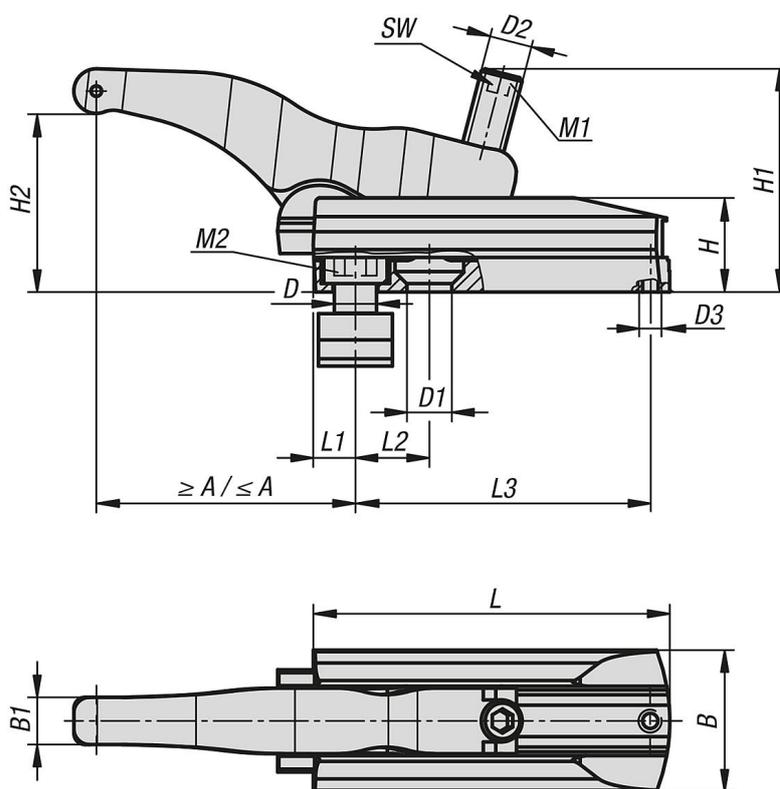
**Accessory:**

Riser 04630.

Thrust pad stainless steel 04631.

Thrust pad plastic 04631-01.

Drawings



Overview of items

Power clamps

Order No.	Version 1	H2	A min.	A max.	B	B1	Slot width	D	D1	D2	D3	H	H1	L	L1	L2	L3	SW	Clamping force kN	Tightening torque M1 Nm	Tightening torque M2 Nm
04629-112135	long	6-68	13	110	54	18	14	M12	13	M16	M8	36	85	135	13	25	115	8	30	100	70
04629-116135	long	6-68	16	114	54	18	18	M16	17	M16	M8	36	85	135	16	28	115	8	30	100	150
04629-116155	long	5-80	16	134	60	20	18	M16	17	M20	M8	42	105	155	16	32	131	10	43	220	150
04629-120175	long	7-88	19	165	75	25	22	M20	21	M24	M10	52	125	175	19	36	146,5	12	49	220	200
04629-210065	short	5-38	15	50	45	13	12	M10	-	M12	M6	30	58	65	11	-	47,5	6	22	50	35
04629-212065	short	5-38	15	50	45	13	14	M12	-	M12	M6	30	58	65	11	-	47,5	6	22	50	40
04629-212095	short	6-50	12	82	54	18	14	M12	13	M16	M8	36	78	95	12	20	76	8	32	120	70
04629-216110	short	6-50	15	95	60	20	18	M16	17	M20	M8	42	92	110	15	26	87	10	40	150	150
04629-118176	long	7-88	36	165	75	25	20	M18	21	M24	M10	52	125	176	20	36	146,5	12	44	180	160
04629-124203	long	8-102	63	180	90	30	28	M24	24,5	M24	M10	57	143	203	23	45	164,5	12	60	300	280