

Item description/product images



Description

Material:

Carbon steel.

Version:

Tempered, black electro zinc-plated.

Note:

When using the clamping element without a DIN 508 T-slot nut, the tensile strength of the mounting plate must be at least 900 N/mm².

Do not clean using compressed air.

Application:

The height of the clamping arm can be infinitely adjusted using the adjustment screw and the workpiece can then be clamped.

Advantages:

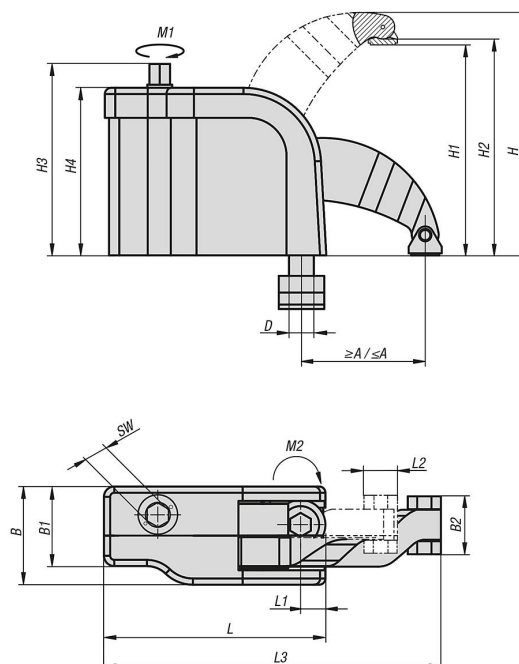
- Infinite clamping
- Clamping force 12 kN / 16 kN.
- Compact design.
- Height scale enables quick presetting of the clamping height.
- Captive thrust pad pre-installed.
- Dirt and swarf repellent.
- The curved clamping arm ensures vertical, reliable clamping with a defined torque.
- The compact power clamp can be attached to the riser 04627-05 without screws using a new type of quick-locking mechanism.

Accessory:

Riser with quick lock 04627-05.

Thrust pad set 04627-10.

Drawings



Overview of items

Order No.	A min.	A max.	B	B1	B2	D	H	H1	H2	H3	H4	L	L1	L2	L3	Slot width	SW	Clamping force kN	Tightening torque M1 Nm	Tightening torque M2 Nm
04627-1212	38,5	59,5	47,5	38,5	28	M12	56,5-118	0-100	3,5-103,5	92,5	81	107	12	16	141,5-163	14	10	12	100	40
04627-1612	22,8	40,2	47,5	38,5	28	M12	52-107	0-90	3,5-93,5	92,5	81	107	12	16	126-143,5	14	10	16	100	40