

Item description/product images



Description

Product description:

Suitable for clamping sensitive workpieces and surfaces.

Material:

Plastic

Version:

Black.

Note:

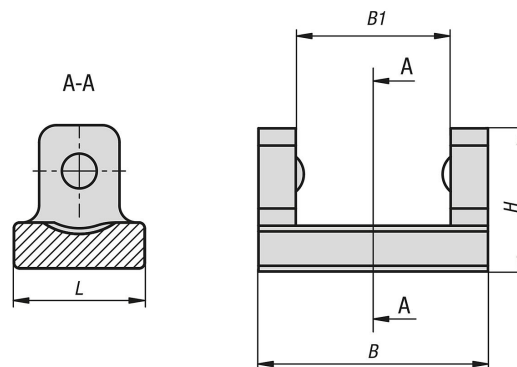
No plastic thrust pads are supplied with the 60 kN power clamps.

Accessory:

Power clamp 04629.

3-stage power clamp 04629-10.

Drawings



Overview of items

Order No.	B	B1	H	L
04631-01-020	20	13,5	12,5	11,4
04631-01-027	27	18,5	19,5	18
04631-01-030	30	20,5	24	24
04631-01-038	38	25,5	28	25