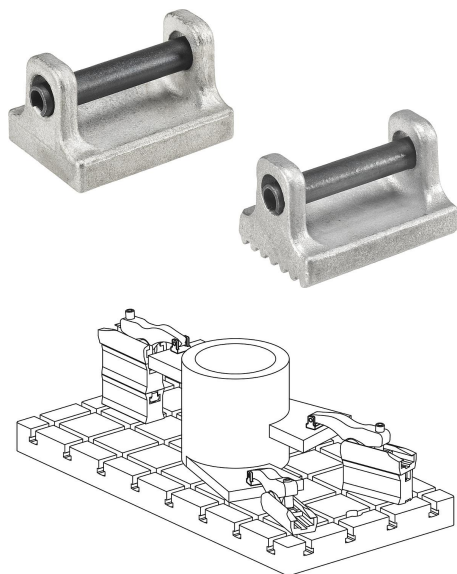


Item description/product images



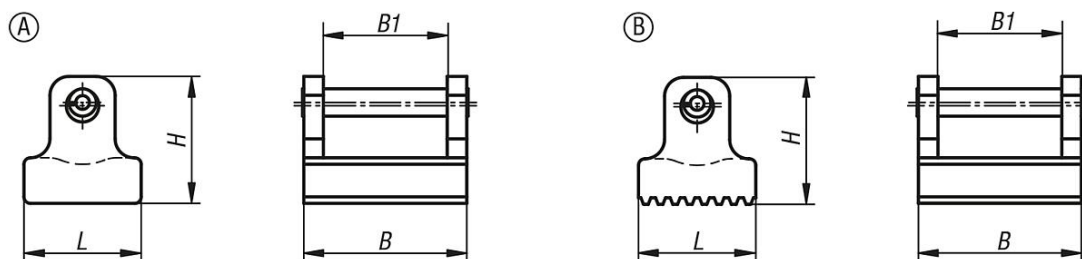
Description

**Material:**  
Stainless steel

**Note:**  
Power clamps can be fitted with serrated or smooth thrust pads.

**Accessory:**  
Power clamp 04629.  
3-stage power clamp 04629-10.

Drawings



Overview of items

Order No.	Form	Form definition	B	B1	H	L
04631-019	A	smooth	19	13	14	12
04631-025	A	smooth	25	19	19,5	18
04631-030	A	smooth	30	21	24	20
04631-036	A	smooth	36	26	28	25
04631-043	A	smooth	43	31,5	29	28
04631-119	B	serrated	19	13	14	12
04631-125	B	serrated	25	19	19,5	18
04631-130	B	serrated	30	21	24	20
04631-136	B	serrated	36	26	28	25
04631-143	B	serrated	43	31,5	29	28