

Item description/product images



Description

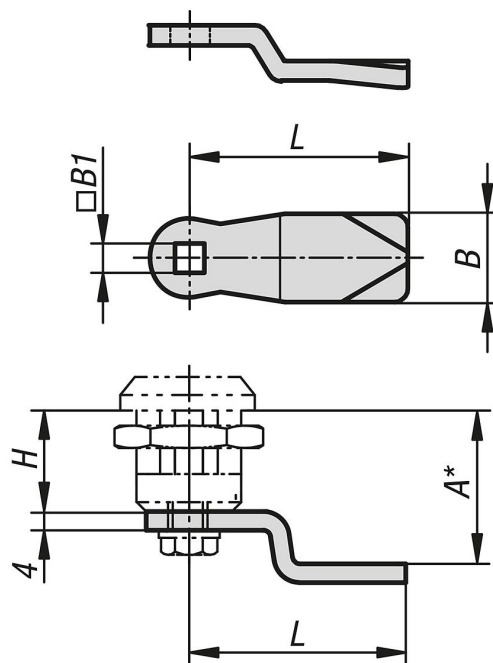
Material:
Stainless steel 1.4301.

Version:
Bright.

Note:
*A in mm by housing length H=26.1 mm.

Accessory:
Quarter-turn lock zinc, for fire services, DIN 14925 05578-10.

Drawings



Overview of items

Order No.	Version 2		B	B1	L
05578-12-145X521	offset downwards	52,1	19,5	8,1	45
05578-12-145X501	offset downwards	50,1	19,5	8,1	45
05578-12-145X481	offset downwards	48,1	19,5	8,1	45
05578-12-145X461	offset downwards	46,1	19,5	8,1	45
05578-12-145X441	offset downwards	44,1	19,5	8,1	45
05578-12-145X421	offset downwards	42,1	19,5	8,1	45
05578-12-145X401	offset downwards	40,1	19,5	8,1	45
05578-12-145X381	offset downwards	38,1	19,5	8,1	45
05578-12-145X361	offset downwards	36,1	19,5	8,1	45
05578-12-145X341	offset downwards	34,1	19,5	8,1	45
05578-12-145X321	offset downwards	32,1	19,5	8,1	45
05578-12-145X301	offset downwards	30,1	19,5	8,1	45
05578-12-145X281	offset downwards	28,1	19,5	8,1	45
05578-12-145X261	straight	26,1	19,5	8,1	45
05578-12-145X241	offset upwards	24,1	19,5	8,1	45
05578-12-145X221	offset upwards	22,1	19,5	8,1	45

Overview of items

Order No.	Version 2		B	B1	L
05578-12-145X201	offset upwards	20,1	19,5	8,1	45
05578-12-145X181	offset upwards	18,1	19,5	8,1	45
05578-12-145X161	offset upwards	16,1	19,5	8,1	45
05578-12-145X141	offset upwards	14,1	19,5	8,1	45
05578-12-145X121	offset upwards	12,1	19,5	8,1	45