

## Item description/product images

**Description****Material:**

Housing and actuator die-cast zinc.  
Nut steel.  
Tongue steel.

**Version:**

Housing and actuator chrome-plated.  
Nut electro zinc-plated.  
Tongue electro zinc-plated.

**Note:**

Lockable quarter-turn lock for right or left mounting with 90° closing. The quarter-turn lock can be installed pre-assembled (apart from those with a down offset tongue).

With stainless steel cylinder cap and dust cover.

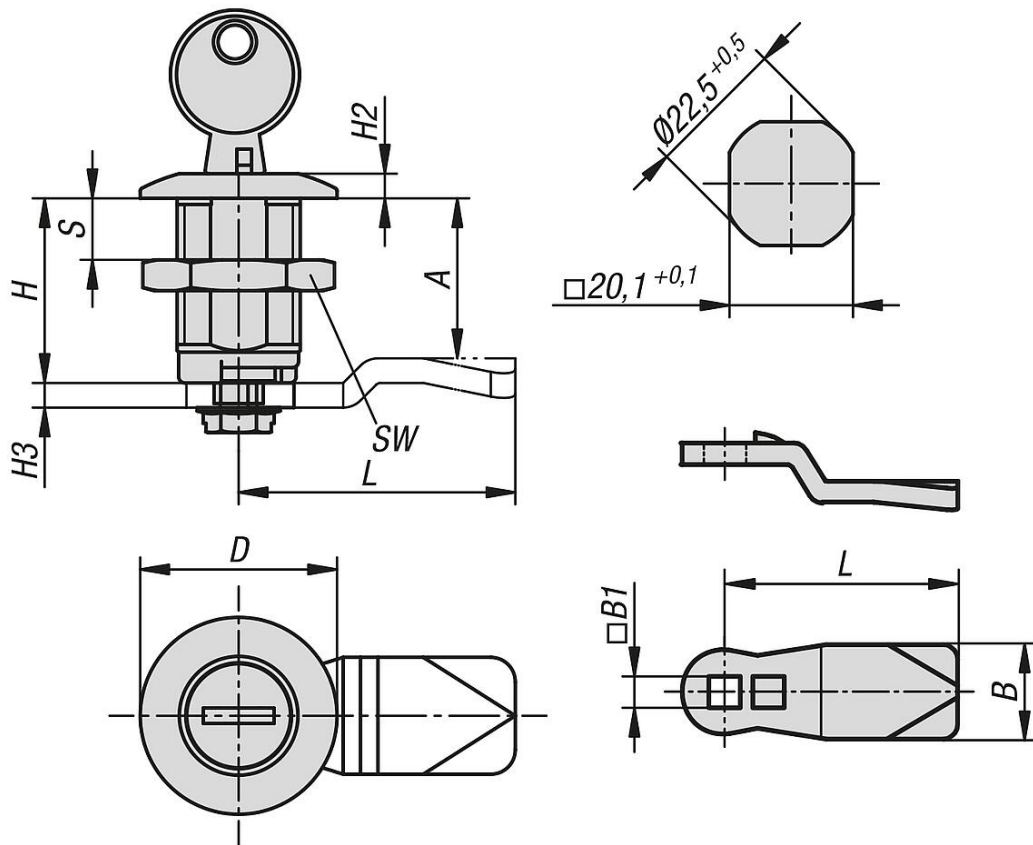
These lockable quarter-turn locks are each delivered with 2 keys. The key can be removed in both positions (open and closed). The locks have a single key system, i.e. they can all be opened using the same key (cylinder lock 1333).

Please order required tongue version separately. Every tongue can be combined with every housing.

**Accessory:**

Tongue steel, with stop 05564-15.  
Key for quarter-turn lock 05586.

Drawings



Overview of items

Order No.	B	B1	D	H	H2	H3	S max.	SW	Actuation
05564-14-30321	19	8,1	32	30	4	4	20	27	key single-key system
05564-14-50321	19	8,1	32	50	4	4	40	27	key single-key system