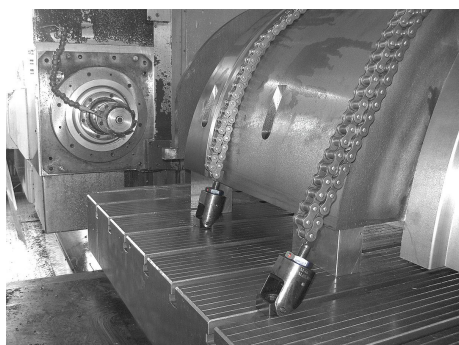
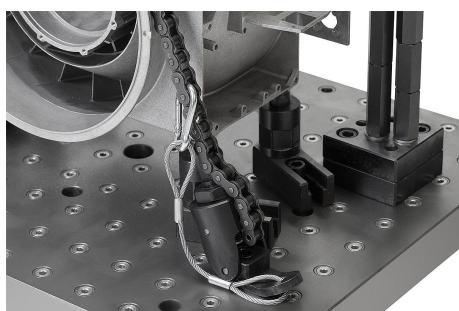
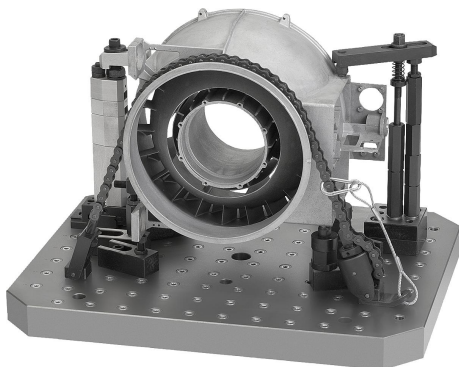


Item description/product images



Description

Material:

Clamping hook, steel.
Clamping bracket, steel.
Roller chain, steel.

Version:

Steel parts, tempered.

Note:

Chain clamps are used mainly in machine and plant construction.
Chain clamps enable cylindrical, complicated and large to very large workpieces to be clamped securely and effectively in the quickest and easiest way.

Suitable for cylindrical workpieces, valve bodies, pistons etc.

The workpiece surface can be protected by attaching the plastic elements.

Application:

The knurled nut on the clamping bracket can be used to preset the chain length and the clamping force. The required torque is set on the clamping hook.

Supplied with:

Chain clamp set 04211-15:

- Clamping hook.
- Clamping bracket.
- 4x roller chains (2x 492 mm, 1x 238 mm, 1x 15.9 mm).
- 4x connecting links with cotter pins to connect.
- 6x snap-on plastic elements.
- Securing set for clamping chains.
- Ring spanner

Chain clamp set 04211-40:

- Clamping hook.
- Clamping bracket.
- 4x roller chains (1x 991 mm, 1x 483 mm, 1x 229 mm, 1x 25.4 mm).
- 4x connecting links with cotter pins to connect.
- 6x snap-on plastic elements.
- Securing set for clamping chains.
- Ring spanner

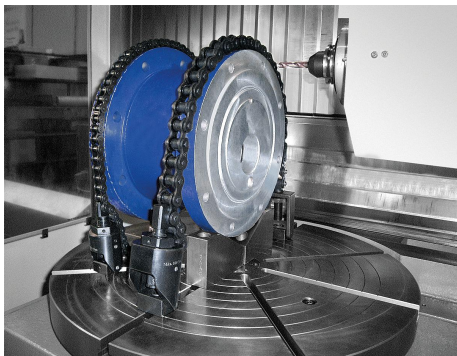
Chain clamp set 04211-75:

- Clamping hook.
- Clamping bracket.
- 2x Roller chains (1x 1492 mm, 1x 984 mm).
- 2x connecting links with cotter pins to connect.
- 6x snap-on plastic elements.
- Securing set for clamping chains.
- Ring spanner

Chain clamp set 04211-120:

- Clamping hook.
- Clamping bracket.
- 2x Roller chains (1x 1485 mm, 1x 1028 mm).
- 2x connecting links with cotter pins to connect.

Item description/product images



- 6x snap-on plastic elements.
- Securing set for clamping chains.
- Ring spanner

Accessory:

Steel roller chains for chain clamp sets 04211-03.

Steel turnbuckles for chain clamp sets 04211-06.

Steel prisms for chain clamp sets 04211-09.

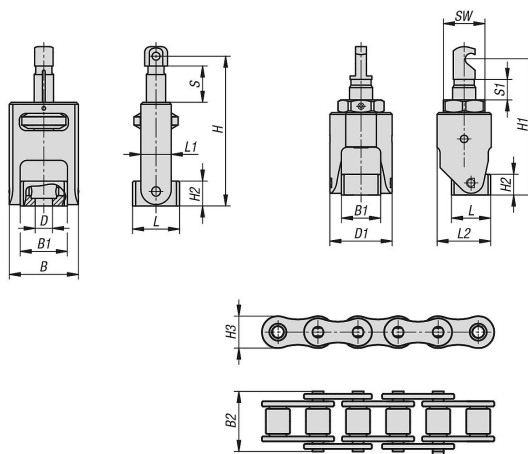
Nuts for T-slots DIN 508 enhanced, 07060.

Cap screws DIN EN ISO 4762, 07160.

Note:

- The opening angle of the chain should not exceed 30°.
- Do not exceed max. permitted tightening torques.

Drawings



Overview of items

Order No.	B	B1	B2	D	D1	H max.	H min.	H1 max.	H1 min.	H2	H3	Travel S	L	L1	L2	S1	SW	Max. torque Nm	Clamping force max. kN
04211-15	50	34	20	M12	54	108	83	118	100	18	15	25	34	21	46,5	18	36	45	15
04211-40	64	44	33	M16	70	146	110	153	122	25	21	36	37	29	61,5	31	46	90	40
04211-75	91	64	44	M20	98	205,5	162	250	195	41	26	43,5	58	48	86	55	65	190	75
04211-120	91	64	54	M24	98	209	166	260	199	41	33	43	58	48	86	61	65	300	120