

## Item description/product images



## Description

## Material:

Knobs thermoset PF 31.

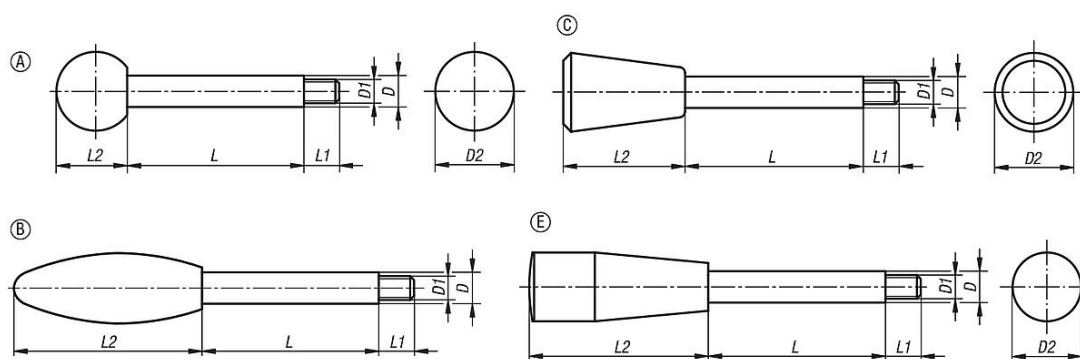
Rod steel or stainless steel 1.4305.

## Version:

Thermoset black, high-gloss polished.

Steel black oxidised, blue passivated or bright stainless steel

## Drawings



## Overview of items

Order No.	Main material	Surface finish body	Form	D	D1	D2	L	L1	L2
06360-208X35	steel	black oxidised	A	8	M6	20	35	9	18
06360-208X50	steel	black oxidised	A	8	M6	20	50	9	18
06360-208X65	steel	black oxidised	A	8	M6	20	65	9	18
06360-210X50	steel	black oxidised	A	10	M8	25	50	13	23
06360-210X65	steel	black oxidised	A	10	M8	25	65	13	23
06360-210X80	steel	black oxidised	A	10	M8	25	80	13	23
06360-210X100	steel	black oxidised	A	10	M8	25	100	13	23
06360-212X65	steel	black oxidised	A	12	M10	32	65	15	29
06360-212X80	steel	black oxidised	A	12	M10	32	80	15	29
06360-212X100	steel	black oxidised	A	12	M10	32	100	15	29
06360-212X125	steel	black oxidised	A	12	M10	32	125	15	29
06360-214X80	steel	black oxidised	A	14	M12	36	80	16	33
06360-214X100	steel	black oxidised	A	14	M12	36	100	16	33
06360-214X125	steel	black oxidised	A	14	M12	36	125	16	33
06360-214X160	steel	black oxidised	A	14	M12	36	160	16	33
06360-2208X35	steel	blue-passivated	A	8	M6	20	35	9	18
06360-2208X50	steel	blue-passivated	A	8	M6	20	50	9	18
06360-2208X65	steel	blue-passivated	A	8	M6	20	65	9	18
06360-2210X50	steel	blue-passivated	A	10	M8	25	50	13	23
06360-2210X65	steel	blue-passivated	A	10	M8	25	65	13	23
06360-2210X80	steel	blue-passivated	A	10	M8	25	80	13	23
06360-2210X100	steel	blue-passivated	A	10	M8	25	100	13	23

## Overview of items

Order No.	Main material	Surface finish body	Form	D	D1	D2	L	L1	L2
06360-2212X65	steel	blue-passivated	A	12	M10	32	65	15	29
06360-2212X80	steel	blue-passivated	A	12	M10	32	80	15	29
06360-2212X100	steel	blue-passivated	A	12	M10	32	100	15	29
06360-2212X125	steel	blue-passivated	A	12	M10	32	125	15	29
06360-2214X80	steel	blue-passivated	A	14	M12	36	80	16	33
06360-2214X100	steel	blue-passivated	A	14	M12	36	100	16	33
06360-2214X125	steel	blue-passivated	A	14	M12	36	125	16	33
06360-2214X160	steel	blue-passivated	A	14	M12	36	160	16	33
06360-1208X35	stainless steel	bright	A	8	M6	20	35	9	18
06360-1208X50	stainless steel	bright	A	8	M6	20	50	9	18
06360-1208X65	stainless steel	bright	A	8	M6	20	65	9	18
06360-1210X50	stainless steel	bright	A	10	M8	25	50	13	23
06360-1210X65	stainless steel	bright	A	10	M8	25	65	13	23
06360-1210X80	stainless steel	bright	A	10	M8	25	80	13	23
06360-1210X100	stainless steel	bright	A	10	M8	25	100	13	23
06360-1212X65	stainless steel	bright	A	12	M10	32	65	15	29
06360-1212X80	stainless steel	bright	A	12	M10	32	80	15	29
06360-1212X100	stainless steel	bright	A	12	M10	32	100	15	29
06360-1212X125	stainless steel	bright	A	12	M10	32	125	15	29
06360-1214X80	stainless steel	bright	A	14	M12	36	80	16	33
06360-1214X100	stainless steel	bright	A	14	M12	36	100	16	33
06360-1214X125	stainless steel	bright	A	14	M12	36	125	16	33
06360-1214X160	stainless steel	bright	A	14	M12	36	160	16	33
06360-708X35	steel	black oxidised	B	8	M6	23	35	9	60
06360-708X50	steel	black oxidised	B	8	M6	23	50	9	60
06360-708X65	steel	black oxidised	B	8	M6	23	65	9	60
06360-710X50	steel	black oxidised	B	10	M8	26	50	13	70
06360-710X65	steel	black oxidised	B	10	M8	26	65	13	70
06360-710X80	steel	black oxidised	B	10	M8	26	80	13	70
06360-710X100	steel	black oxidised	B	10	M8	26	100	13	70
06360-712X65	steel	black oxidised	B	12	M10	35	65	15	85
06360-712X80	steel	black oxidised	B	12	M10	35	80	15	85
06360-712X100	steel	black oxidised	B	12	M10	35	100	15	85
06360-712X125	steel	black oxidised	B	12	M10	35	125	15	85
06360-714X80	steel	black oxidised	B	14	M12	35	80	16	85
06360-714X100	steel	black oxidised	B	14	M12	35	100	16	85
06360-714X125	steel	black oxidised	B	14	M12	35	125	16	85
06360-714X160	steel	black oxidised	B	14	M12	35	160	16	85
06360-2708X35	steel	blue-passivated	B	8	M6	23	35	9	60
06360-2708X50	steel	blue-passivated	B	8	M6	23	50	9	60
06360-2708X65	steel	blue-passivated	B	8	M6	23	65	9	60
06360-2710X50	steel	blue-passivated	B	10	M8	26	50	13	70
06360-2710X65	steel	blue-passivated	B	10	M8	26	65	13	70
06360-2710X80	steel	blue-passivated	B	10	M8	26	80	13	70
06360-2710X100	steel	blue-passivated	B	10	M8	26	100	13	70
06360-2712X65	steel	blue-passivated	B	12	M10	35	65	15	85
06360-2712X80	steel	blue-passivated	B	12	M10	35	80	15	85
06360-2712X100	steel	blue-passivated	B	12	M10	35	100	15	85
06360-2712X125	steel	blue-passivated	B	12	M10	35	125	15	85
06360-2714X80	steel	blue-passivated	B	14	M12	35	80	16	85
06360-2714X100	steel	blue-passivated	B	14	M12	35	100	16	85
06360-2714X125	steel	blue-passivated	B	14	M12	35	125	16	85
06360-2714X160	steel	blue-passivated	B	14	M12	35	160	16	85
06360-1708X35	stainless steel	bright	B	8	M6	23	35	9	60
06360-1708X50	stainless steel	bright	B	8	M6	23	50	9	60
06360-1708X65	stainless steel	bright	B	8	M6	23	65	9	60
06360-1710X50	stainless steel	bright	B	10	M8	26	50	13	70
06360-1710X65	stainless steel	bright	B	10	M8	26	65	13	70
06360-1710X80	stainless steel	bright	B	10	M8	26	80	13	70
06360-1710X100	stainless steel	bright	B	10	M8	26	100	13	70
06360-1712X65	stainless steel	bright	B	12	M10	35	65	15	85
06360-1712X80	stainless steel	bright	B	12	M10	35	80	15	85
06360-1712X100	stainless steel	bright	B	12	M10	35	100	15	85
06360-1712X125	stainless steel	bright	B	12	M10	35	125	15	85
06360-1714X80	stainless steel	bright	B	14	M12	35	80	16	85

## Overview of items

Order No.	Main material	Surface finish body	Form	D	D1	D2	L	L1	L2
06360-1714X100	stainless steel	bright	B	14	M12	35	100	16	85
06360-1714X125	stainless steel	bright	B	14	M12	35	125	16	85
06360-1714X160	stainless steel	bright	B	14	M12	35	160	16	85
06360-408X35	steel	black oxidised	C	8	M6	20	35	9	31
06360-408X50	steel	black oxidised	C	8	M6	20	50	9	31
06360-408X65	steel	black oxidised	C	8	M6	20	65	9	31
06360-410X50	steel	black oxidised	C	10	M8	25	50	13	38
06360-410X65	steel	black oxidised	C	10	M8	25	65	13	38
06360-410X80	steel	black oxidised	C	10	M8	25	80	13	38
06360-410X100	steel	black oxidised	C	10	M8	25	100	13	38
06360-412X65	steel	black oxidised	C	12	M10	30	65	15	46
06360-412X80	steel	black oxidised	C	12	M10	30	80	15	46
06360-412X100	steel	black oxidised	C	12	M10	30	100	15	46
06360-412X125	steel	black oxidised	C	12	M10	30	125	15	46
06360-414X80	steel	black oxidised	C	14	M12	35	80	16	53
06360-414X100	steel	black oxidised	C	14	M12	35	100	16	53
06360-414X125	steel	black oxidised	C	14	M12	35	125	16	53
06360-414X160	steel	black oxidised	C	14	M12	35	160	16	53
06360-2408X35	steel	blue-passivated	C	8	M6	20	35	9	31
06360-2408X50	steel	blue-passivated	C	8	M6	20	50	9	31
06360-2408X65	steel	blue-passivated	C	8	M6	20	65	9	31
06360-2410X50	steel	blue-passivated	C	10	M8	25	50	13	38
06360-2410X65	steel	blue-passivated	C	10	M8	25	65	13	38
06360-2410X80	steel	blue-passivated	C	10	M8	25	80	13	38
06360-2410X100	steel	blue-passivated	C	10	M8	25	100	13	38
06360-2412X65	steel	blue-passivated	C	12	M10	30	65	15	46
06360-2412X80	steel	blue-passivated	C	12	M10	30	80	15	46
06360-2412X100	steel	blue-passivated	C	12	M10	30	100	15	46
06360-2412X125	steel	blue-passivated	C	12	M10	30	125	15	46
06360-2414X80	steel	blue-passivated	C	14	M12	35	80	16	53
06360-2414X100	steel	blue-passivated	C	14	M12	35	100	16	53
06360-2414X125	steel	blue-passivated	C	14	M12	35	125	16	53
06360-2414X160	steel	blue-passivated	C	14	M12	35	160	16	53
06360-1408X35	stainless steel	bright	C	8	M6	20	35	9	31
06360-1408X50	stainless steel	bright	C	8	M6	20	50	9	31
06360-1408X65	stainless steel	bright	C	8	M6	20	65	9	31
06360-1410X50	stainless steel	bright	C	10	M8	25	50	13	38
06360-1410X65	stainless steel	bright	C	10	M8	25	65	13	38
06360-1410X80	stainless steel	bright	C	10	M8	25	80	13	38
06360-1410X100	stainless steel	bright	C	10	M8	25	100	13	38
06360-1412X65	stainless steel	bright	C	12	M10	30	65	15	46
06360-1412X80	stainless steel	bright	C	12	M10	30	80	15	46
06360-1412X100	stainless steel	bright	C	12	M10	30	100	15	46
06360-1412X125	stainless steel	bright	C	12	M10	30	125	15	46
06360-1414X80	stainless steel	bright	C	14	M12	35	80	16	53
06360-1414X100	stainless steel	bright	C	14	M12	35	100	16	53
06360-1414X125	stainless steel	bright	C	14	M12	35	125	16	53
06360-1414X160	stainless steel	bright	C	14	M12	35	160	16	53
06360-608X35	steel	black oxidised	E	8	M6	17	35	9	45
06360-608X50	steel	black oxidised	E	8	M6	17	50	9	45
06360-608X65	steel	black oxidised	E	8	M6	17	65	9	45
06360-610X50	steel	black oxidised	E	10	M8	23	50	13	61
06360-610X65	steel	black oxidised	E	10	M8	23	65	13	61
06360-610X80	steel	black oxidised	E	10	M8	23	80	13	61
06360-610X100	steel	black oxidised	E	10	M8	23	100	13	61
06360-612X65	steel	black oxidised	E	12	M10	29	65	15	71
06360-612X80	steel	black oxidised	E	12	M10	29	80	15	71
06360-612X100	steel	black oxidised	E	12	M10	29	100	15	71
06360-612X125	steel	black oxidised	E	12	M10	29	125	15	71
06360-614X80	steel	black oxidised	E	14	M12	29	80	16	71
06360-614X100	steel	black oxidised	E	14	M12	29	100	16	71
06360-614X125	steel	black oxidised	E	14	M12	29	125	16	71
06360-614X160	steel	black oxidised	E	14	M12	29	160	16	71
06360-2608X35	steel	blue-passivated	E	8	M6	17	35	9	45
06360-2608X50	steel	blue-passivated	E	8	M6	17	50	9	45

## Overview of items

Order No.	Main material	Surface finish body	Form	D	D1	D2	L	L1	L2
06360-2608X65	steel	blue-passivated	E	8	M6	17	65	9	45
06360-2610X50	steel	blue-passivated	E	10	M8	23	50	13	61
06360-2610X65	steel	blue-passivated	E	10	M8	23	65	13	61
06360-2610X80	steel	blue-passivated	E	10	M8	23	80	13	61
06360-2610X100	steel	blue-passivated	E	10	M8	23	100	13	61
06360-2612X65	steel	blue-passivated	E	12	M10	29	65	15	71
06360-2612X80	steel	blue-passivated	E	12	M10	29	80	15	71
06360-2612X100	steel	blue-passivated	E	12	M10	29	100	15	71
06360-2612X125	steel	blue-passivated	E	12	M10	29	125	15	71
06360-2614X80	steel	blue-passivated	E	14	M12	29	80	16	71
06360-2614X100	steel	blue-passivated	E	14	M12	29	100	16	71
06360-2614X125	steel	blue-passivated	E	14	M12	29	125	16	71
06360-2614X160	steel	blue-passivated	E	14	M12	29	160	16	71
06360-1608X35	stainless steel	bright	E	8	M6	17	35	9	45
06360-1608X50	stainless steel	bright	E	8	M6	17	50	9	45
06360-1608X65	stainless steel	bright	E	8	M6	17	65	9	45
06360-1610X50	stainless steel	bright	E	10	M8	23	50	13	61
06360-1610X65	stainless steel	bright	E	10	M8	23	65	13	61
06360-1610X80	stainless steel	bright	E	10	M8	23	80	13	61
06360-1610X100	stainless steel	bright	E	10	M8	23	100	13	61
06360-1612X65	stainless steel	bright	E	12	M10	29	65	15	71
06360-1612X80	stainless steel	bright	E	12	M10	29	80	15	71
06360-1612X100	stainless steel	bright	E	12	M10	29	100	15	71
06360-1612X125	stainless steel	bright	E	12	M10	29	125	15	71
06360-1614X80	stainless steel	bright	E	14	M12	29	80	16	71
06360-1614X100	stainless steel	bright	E	14	M12	29	100	16	71
06360-1614X125	stainless steel	bright	E	14	M12	29	125	16	71
06360-1614X160	stainless steel	bright	E	14	M12	29	160	16	71