

Item description/product images



Description

Material:

1.4305 or 1.4404 stainless steel.

Version:

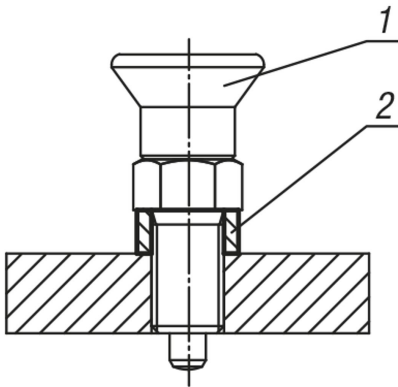
Bright.

Note:

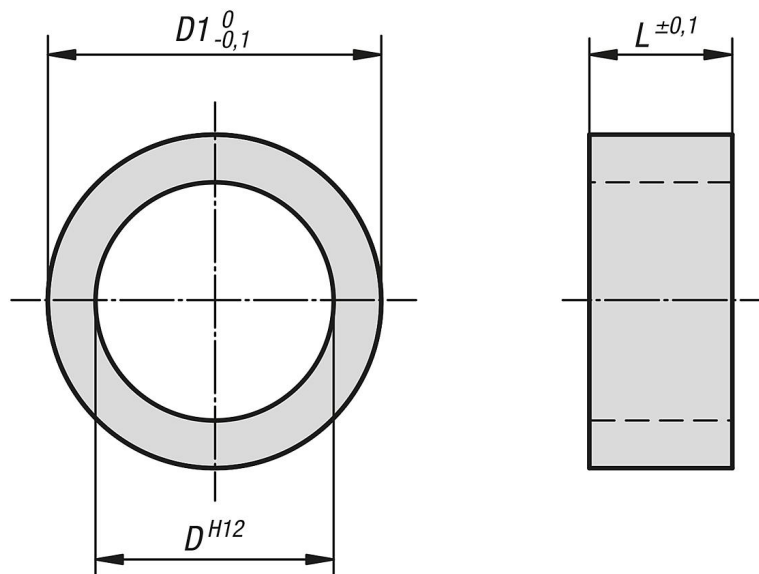
Spacer rings are used to adjust the indexing plunger thread length to suit the application wall thickness.

Drawing reference:

- 1) Indexing plunger
- 2) Spacer ring



Drawings



Overview of items

Order No.	Steel code	D	D1	L
03089-90811021	1.4305	8	11	2
03089-90811031	1.4305	8	11	3
03089-90811041	1.4305	8	11	4
03089-90811061	1.4305	8	11	6
03089-90811081	1.4305	8	11	8
03089-91014021	1.4305	10	14	2
03089-91014031	1.4305	10	14	3
03089-91014041	1.4305	10	14	4
03089-91014061	1.4305	10	14	6
03089-91014081	1.4305	10	14	8
03089-91215021	1.4305	12	15	2
03089-91215041	1.4305	12	15	4
03089-91215051	1.4305	12	15	5
03089-91215061	1.4305	12	15	6
03089-91215081	1.4305	12	15	8
03089-91217021	1.4305	12	17	2
03089-91217041	1.4305	12	17	4
03089-91217051	1.4305	12	17	5
03089-91217061	1.4305	12	17	6
03089-91217081	1.4305	12	17	8
03089-91621041	1.4305	16	21	4
03089-91621051	1.4305	16	21	5
03089-91621061	1.4305	16	21	6
03089-91621081	1.4305	16	21	8
03089-91621101	1.4305	16	21	10
03089-90811022	1.4404	8	11	2
03089-90811032	1.4404	8	11	3
03089-90811042	1.4404	8	11	4
03089-90811062	1.4404	8	11	6
03089-90811082	1.4404	8	11	8
03089-91014022	1.4404	10	14	2
03089-91014032	1.4404	10	14	3
03089-91014042	1.4404	10	14	4
03089-91014062	1.4404	10	14	6
03089-91014082	1.4404	10	14	8
03089-91215022	1.4404	12	15	2
03089-91215042	1.4404	12	15	4
03089-91215052	1.4404	12	15	5
03089-91215062	1.4404	12	15	6
03089-91215082	1.4404	12	15	8
03089-91217022	1.4404	12	17	2
03089-91217042	1.4404	12	17	4
03089-91217052	1.4404	12	17	5
03089-91217062	1.4404	12	17	6
03089-91217082	1.4404	12	17	8
03089-91621042	1.4404	16	21	4
03089-91621052	1.4404	16	21	5
03089-91621062	1.4404	16	21	6
03089-91621082	1.4404	16	21	8
03089-91621102	1.4404	16	21	10