

Item description/product images



Description

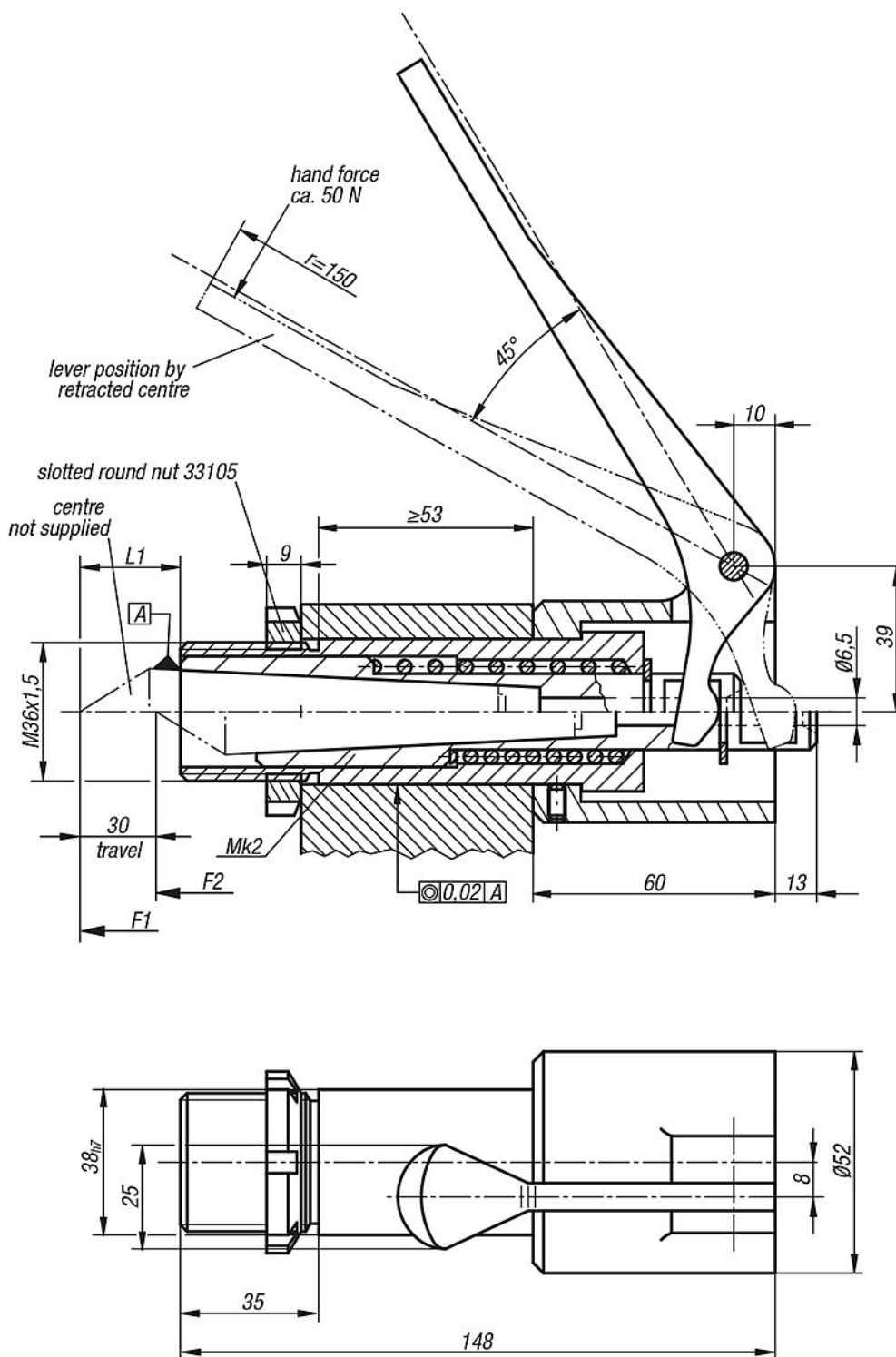
Material:

Steel.

Version:

Black oxidised.

Drawings



Overview of items

Order No.	L1	Matching fixed centre	Spring force initial pressure F1 approx. N	Final pressure F2 approx. N
33180-02	324149	33190-02096 33190-02105 33190-02113	100	150

