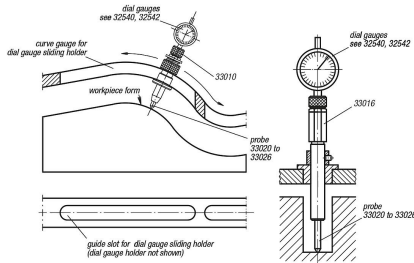


Item description/product images



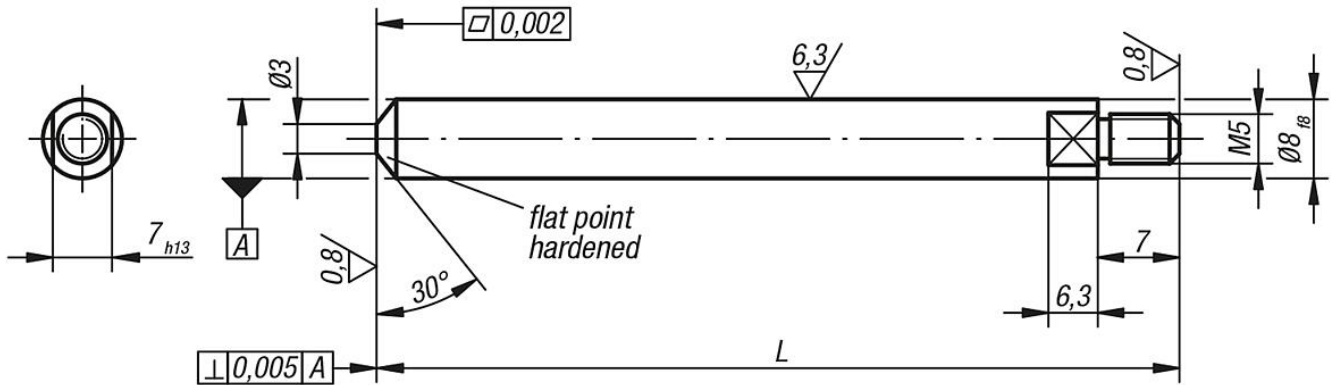
Description

Material:
Steel.

Version:
Black oxidised.

Note:
These probes are suitable for dial gauge holders 33010 to 33016.

Drawings



Overview of items

Order No.	L
33022-08063	63
33022-08080	80
33022-08100	100