

Item description/product images



Description

Material:

Housing and wheel rim steel plate.
Tyres solid rubber.
Wheel hub steel tube.

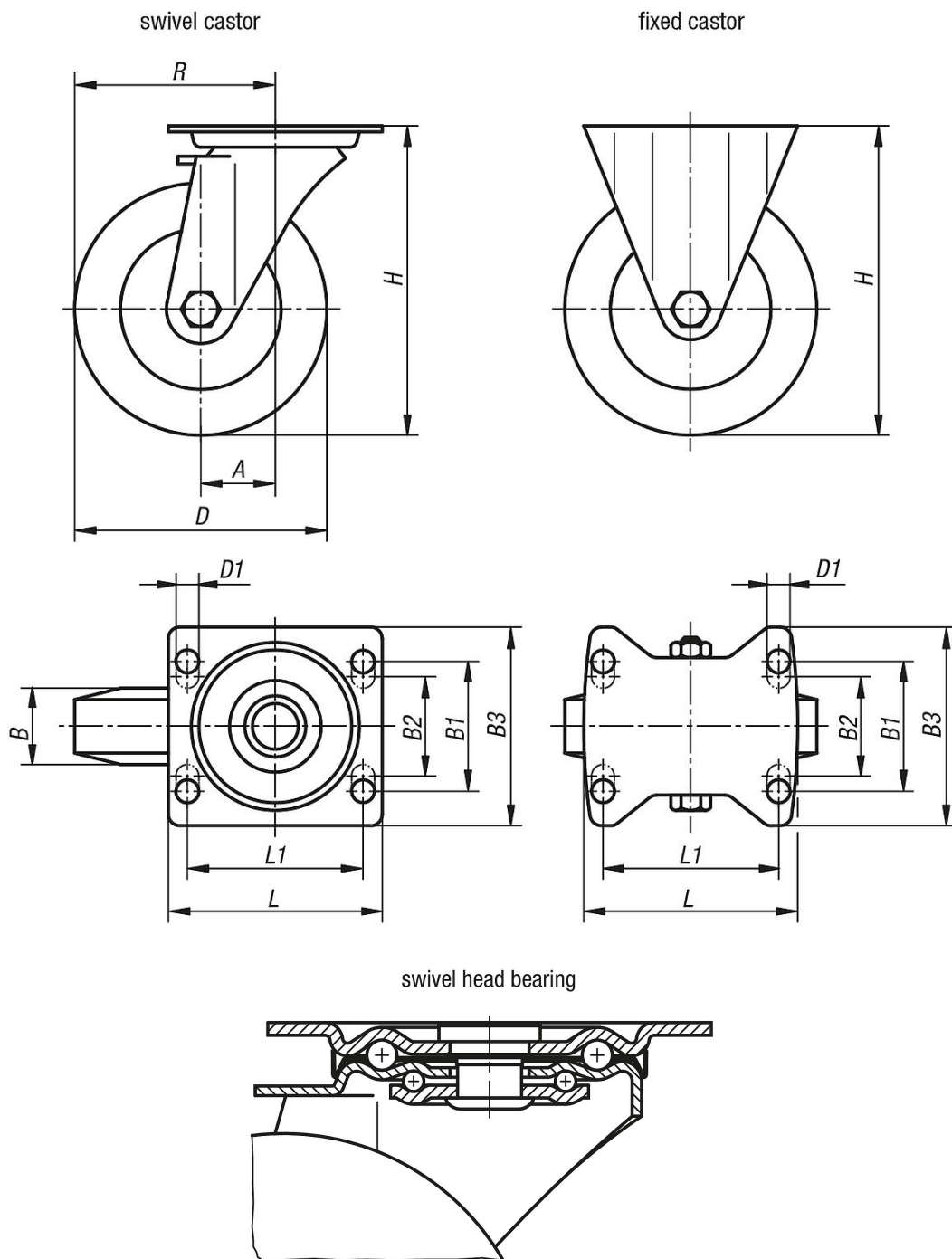
Version:

Housing and rim press formed.
Double ball bearing with ball shield in castor head.
Roller bearings in the wheels.

Note:

Wheel axle bolted.

Drawings



Overview of items

Order No.	Item	Version 1	Wheel bearing	A	B	B1	B2	B3	D	D1	L	L1	H	R	Permissible load kg
95016-080251	Fixed castor	without locking system	roller bearing	-	25	-	60	85	80	9	100	80	102	-	50
95016-100301	Fixed castor	without locking system	roller bearing	-	30	-	60	85	100	9	100	80	125	-	70
95016-125381	Fixed castor	without locking system	roller bearing	-	37,5	-	60	85	125	9	100	80	150	-	100
95016-160401	Fixed castor	without locking system	roller bearing	-	40	75	80	110	160	11	140	105	195	-	135
95016-200501	Fixed castor	without locking system	roller bearing	-	50	75	80	110	200	11	140	105	235	-	205
95016-08025	Swivel castor	without locking system	roller bearing	38	25	-	60	85	80	9	100	80	102	78	50
95016-10030	Swivel castor	without locking system	roller bearing	36	30	-	60	85	100	9	100	80	125	86	70
95016-12538	Swivel castor	without locking system	roller bearing	40	37,5	-	60	85	125	9	100	80	150	102,5	100
95016-16040	Swivel castor	without locking system	roller bearing	60	40	75	80	110	160	11	140	105	195	140	135

Overview of items

Order No.	Item	Version 1	Wheel bearing	A	B	B1	B2	B3	D	D1	L	L1	H	R	Permissible load kg
95016-20050	Swivel castor	without locking system	roller bearing	65	50	75	80	110	200	11	140	105	235	165	205
95016-080252	Swivel castor	with stop-fix locking system	roller bearing	38	25	-	60	85	80	9	100	80	102	78	50
95016-100302	Swivel castor	with stop-fix locking system	roller bearing	36	30	-	60	85	100	9	100	80	125	86	70
95016-125382	Swivel castor	with stop-fix locking system	roller bearing	40	37,5	-	60	85	125	9	100	80	150	102,5	100
95016-160402	Swivel castor	with stop-fix locking system	roller bearing	60	40	75	80	110	160	11	140	105	195	140	135
95016-200502	Swivel castor	with stop-fix locking system	roller bearing	65	50	75	80	110	200	11	140	105	235	165	205