

## Item description/product images



## Description

### Material:

Housing thick steel plate.  
Tyres steel-wire reinforced elastic solid rubber.  
Wheel body welded steel.

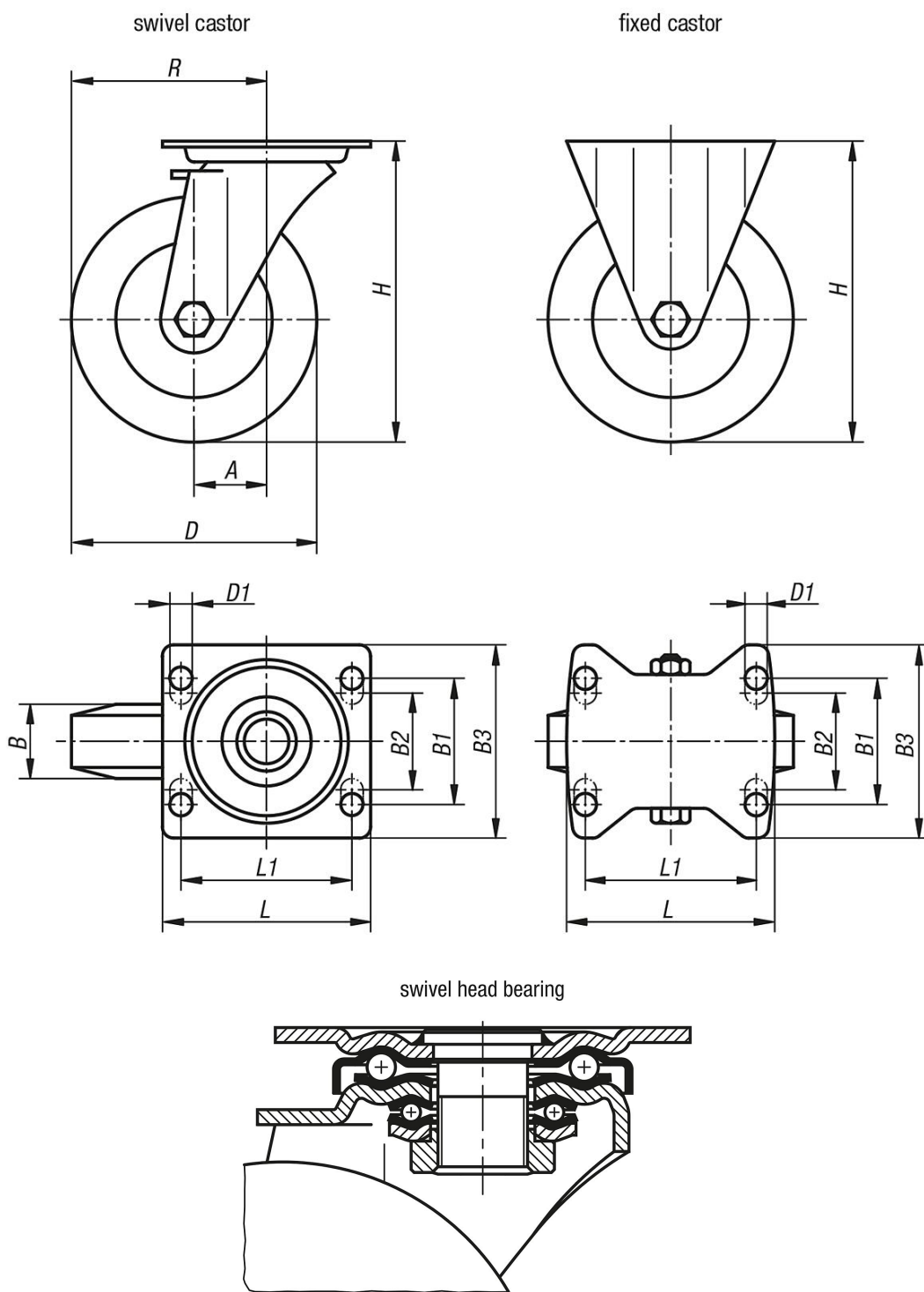
### Version:

Housing press formed.  
Reinforced fork, base plate and centre pin.  
Double ball bearing with hardened shells in the castor head.  
Precision ball bearings in the wheels.

### Note:

These castors are particularly impact and shock proof and assure a high service life.  
Wheel axle bolted.

Drawings



Overview of items

Order No.	Item	Version 1	Wheel bearing	A	B	B1	B2	B3	D	D1	H	L	L1	R	Permissible load kg
95020-100401	Fixed castor	without locking system	ball bearing	-	40	60	-	85	100	9	140	100	80	-	180
95020-125501	Fixed castor	without locking system	ball bearing	-	50	80	75	110	125	11	170	140	105	-	280
95020-160501	Fixed castor	without locking system	ball bearing	-	50	80	75	110	160	11	202	140	105	-	400
95020-200501	Fixed castor	without locking system	ball bearing	-	50	80	75	110	200	11	245	140	105	-	500
95020-250601	Fixed castor	without locking system	ball bearing	-	60	80	75	110	250	11	295	140	105	-	700
95020-10040	Swivel castor	without locking system	ball bearing	45	40	60	-	85	100	9	140	100	80	95	180

## Overview of items

Order No.	Item	Version 1	Wheel bearing	A	B	B1	B2	B3	D	D1	H	L	L1	R	Permissible load kg
95020-12550	Swivel castor	without locking system	ball bearing	55	50	80	75	110	125	11	170	140	105	117,5	280
95020-16050	Swivel castor	without locking system	ball bearing	65	50	80	75	110	160	11	202	140	105	145	400
95020-20050	Swivel castor	without locking system	ball bearing	70	50	80	75	110	200	11	245	140	105	170	500
95020-25060	Swivel castor	without locking system	ball bearing	82	60	80	75	110	250	11	295	140	105	207	700
95020-100402	Swivel castor	with stop-top locking system	ball bearing	45	40	60	-	85	100	9	140	100	80	95	180
95020-125502	Swivel castor	with stop-top locking system	ball bearing	55	50	80	75	110	125	11	170	140	105	117,5	280
95020-160502	Swivel castor	with stop-top locking system	ball bearing	65	50	80	75	110	160	11	202	140	105	145	400
95020-200502	Swivel castor	with stop-top locking system	ball bearing	70	50	80	75	110	200	11	245	140	105	170	500
95020-250602	Swivel castor	with stop-top locking system	ball bearing	82	60	80	75	110	250	11	295	140	105	207	700