

Item description/product images



Description

Material:

Wheel body PA.

Tread thermoplastic polyurethane elastomer.

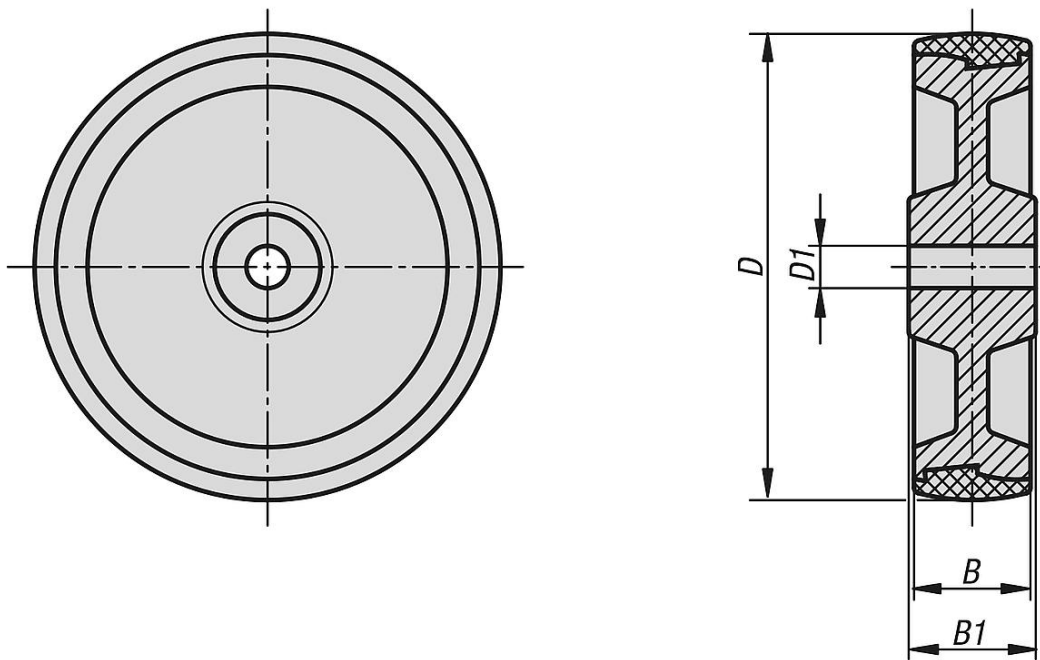
Note:

Wheels with polyurethane tread have a high load capacity, resist abrasion, are gentle to floors, absorb shocks and vibration and are resistant to many chemicals and acids.

Temperature resistant from -30 °C to +80 °C.

Suitable as replacement rollers for the castors 95024.

Drawings



Overview of items

Order No.	Wheel bearing	D	D1	B	B1	Permissible load kg
95056-10035	plain bearing	100	15	35	45	200
95056-12535	plain bearing	125	15	35	45	250
95056-15040	plain bearing	150	20	40	60	400
95056-20050	plain bearing	200	20	50	60	700

