

Item description/product images



Description

Material:

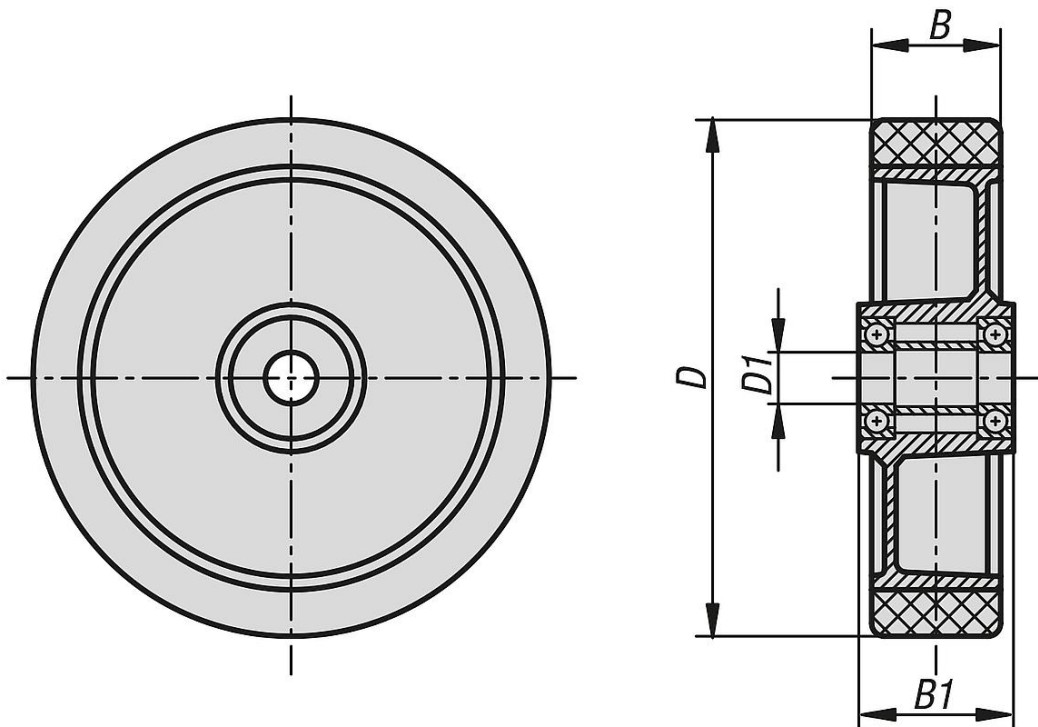
Wheel rim die-cast aluminium.
Tread Extrathane®.

Note:

These wheels are elastic, abrasion-resistant, gentle to floors, low-noise and have low roll resistance.

Suitable as replacement rollers for castors 95028.

Drawings



Overview of items

| Order No. | Wheel bearing | D | D1 | B | B1 | Permissible load kg |
|-------------|---------------|-----|----|----|----|---------------------|
| 95058-10040 | ball bearing | 100 | 15 | 40 | 45 | 250 |
| 95058-12540 | ball bearing | 125 | 15 | 40 | 45 | 350 |
| 95058-16050 | ball bearing | 160 | 20 | 50 | 60 | 550 |
| 95058-18050 | ball bearing | 180 | 20 | 50 | 60 | 600 |
| 95058-20050 | ball bearing | 200 | 20 | 50 | 60 | 800 |

