

Item description/product images



Description

Material:

Wheel body steel tube with ball bearing.
Tread Extrathane® 92 Shore A.

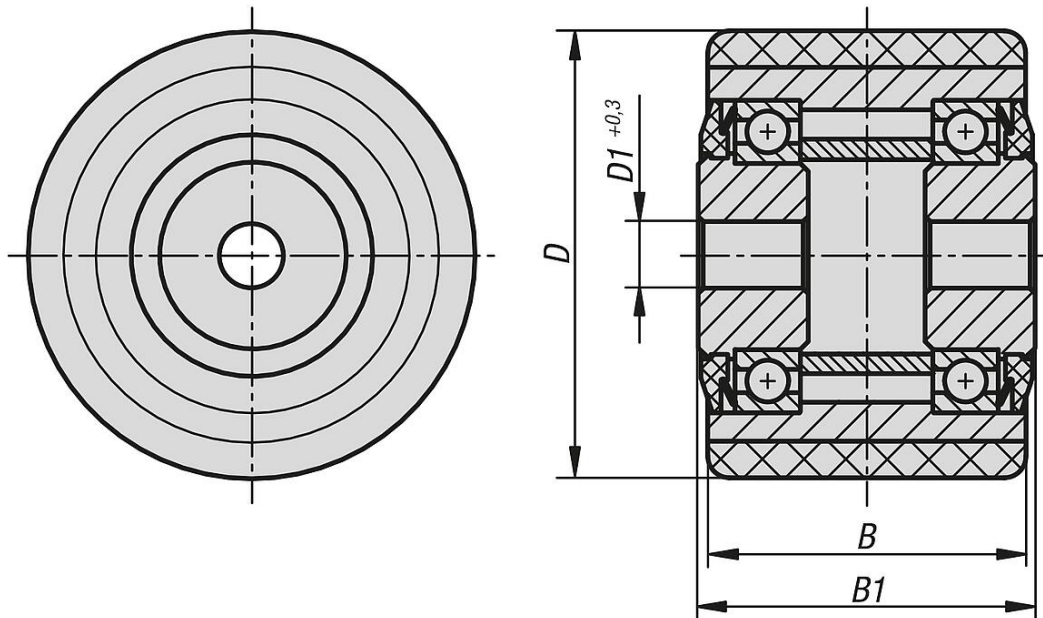
Note:

The ball bearing is splashproof. The tread is firmly bonded. These rollers resist abrasion, are non-staining, gentle to floors, low-noise, elastic, have low roll resistance and have a particularly high elastic restoration after long standing high cut and tear resistance.

Uses: pallet trucks, forklift, etc.

Other sizes on request.

Drawings



Overview of items

Order No.	Wheel bearing	D	D1	B	B1	Permissible load kg
95059-0856020	ball bearing	85	20	60	65	450
95059-0856025	ball bearing	85	25	60	65	450
95059-0857520	ball bearing	85	20	75	80	570
95059-0857525	ball bearing	85	25	75	80	570
95059-0859525	ball bearing	85	25	95	100	720