

Item description/product images



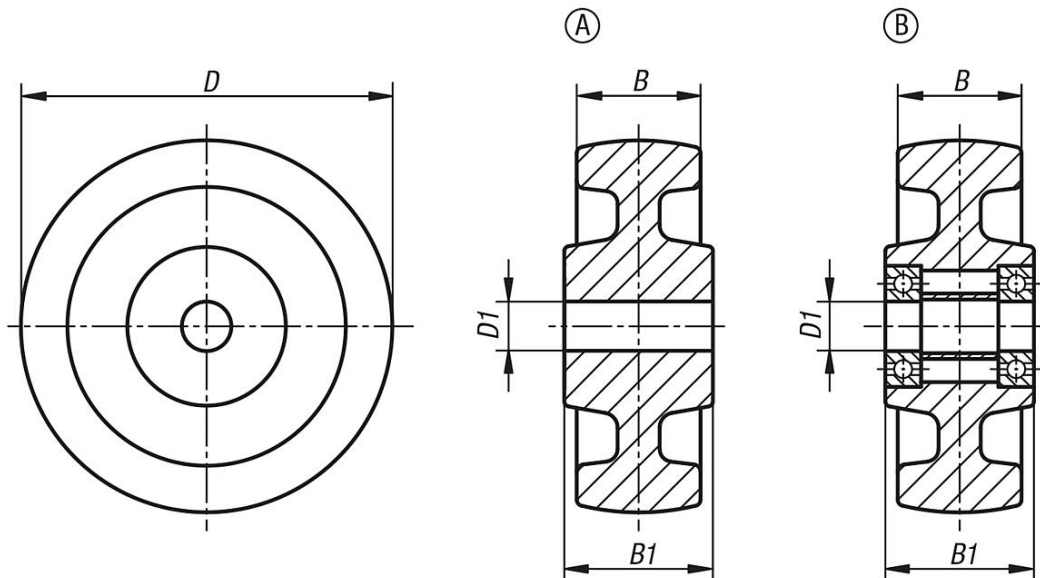
Description

**Material:**  
Polyamide.

**Note:**  
Polyamide wheels are unbreakable, non-corroding, shock and impact proof and chemical resistant. They also have high abrasion resistance and low roll resistance. Suitable as replacement rollers for the castors 95040.

**Drawing reference:**  
Form A: plain bearing  
Form B: ball bearing

Drawings



Overview of items

Order No.	Form	Form definition	D	D1	B	B1	Permissible load kg
95064-07532	A	plain bearing	75	12	32	35	300
95064-10037	A	plain bearing	100	15	37	45	500
95064-12540	A	plain bearing	125	15	40	45	700
95064-15050	A	plain bearing	150	20	50	60	800
95064-20050	A	plain bearing	200	20	50	60	1500
95064-25065	A	plain bearing	250	25	65	70	2000
95064-075321	B	ball bearing	75	15	32	35	300
95064-100371	B	ball bearing	100	15	37	45	500
95064-125401	B	ball bearing	125	20	40	45	700
95064-150501	B	ball bearing	150	20	50	60	800
95064-200501	B	ball bearing	200	25	50	60	1500
95064-250651	B	ball bearing	250	25	65	65	2000

