

Item description/product images



Description

Material:

Steel 1.0037.
Aluminium EN AW-6060.

Version:

Steel electro zinc-plated.
Aluminium clear anodised.

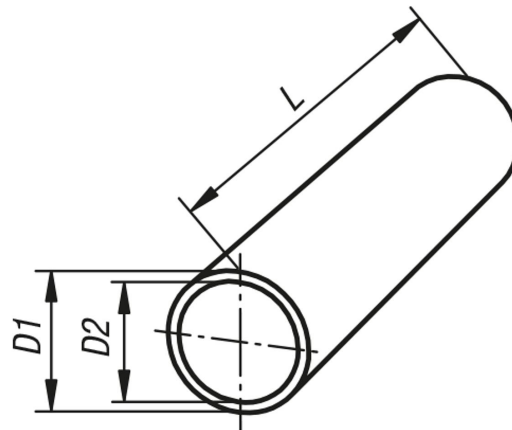
Note:

The production tolerances for round tubes are adapted to the tube clamping system.

On request:

- stainless steel tubes
- customer specific lengths

Drawings



Overview of items

Order No.	Main material	Description	D1	D2	L
29050-0112X500	steel	Ø12 x 1,5	12 ±0,1	9	500
29050-0112X1000	steel	Ø12 x 1,5	12 ±0,1	9	1000
29050-0112X2000	steel	Ø12 x 1,5	12 ±0,1	9	2000
29050-0114X500	steel	Ø14 x 1,5	14 ±0,1	11	500
29050-0114X1000	steel	Ø14 x 1,5	14 ±0,1	11	1000
29050-0114X2000	steel	Ø14 x 1,5	14 ±0,1	11	2000
29050-0115X500	steel	Ø15 x 1,5	15 ±0,1	12	500
29050-0115X1000	steel	Ø15 x 1,5	15 ±0,1	12	1000
29050-0115X2000	steel	Ø15 x 1,5	15 ±0,1	12	2000
29050-0116X500	steel	Ø16 x 1,5	16 ±0,1	13	500
29050-0116X1000	steel	Ø16 x 1,5	16 ±0,1	13	1000
29050-0116X2000	steel	Ø16 x 1,5	16 ±0,1	13	2000
29050-0118X500	steel	Ø18 x 1,5	18 ±0,1	15	500
29050-0118X1000	steel	Ø18 x 1,5	18 ±0,1	15	1000
29050-0118X2000	steel	Ø18 x 1,5	18 ±0,1	15	2000
29050-0120X500	steel	Ø20 x 2	20 ±0,1	16	500
29050-0120X1000	steel	Ø20 x 2	20 ±0,1	16	1000
29050-0120X2000	steel	Ø20 x 2	20 ±0,1	16	2000
29050-0125X500	steel	Ø25 x 2	25 ±0,1	21	500
29050-0125X1000	steel	Ø25 x 2	25 ±0,1	21	1000
29050-0125X2000	steel	Ø25 x 2	25 ±0,1	21	2000
29050-0130X500	steel	Ø30 x 2	30 ±0,1	26	500

Overview of items

Order No.	Main material	Description	D1	D2	L
29050-0130X1000	steel	Ø30 x 2	30 ±0,1	26	1000
29050-0130X2000	steel	Ø30 x 2	30 ±0,1	26	2000
29050-0140X500	steel	Ø40 x 4	40 ±0,15	32	500
29050-0140X1000	steel	Ø40 x 4	40 ±0,15	32	1000
29050-0140X2000	steel	Ø40 x 4	40 ±0,15	32	2000
29050-0150X500	steel	Ø50 x 4	50 ±0,2	42	500
29050-0150X1000	steel	Ø50 x 4	50 ±0,2	42	1000
29050-0150X2000	steel	Ø50 x 4	50 ±0,2	42	2000
29050-0220X500	aluminium	Ø20 x 3	20 ±0,1	14	500
29050-0220X1000	aluminium	Ø20 x 3	20 ±0,1	14	1000
29050-0220X2000	aluminium	Ø20 x 3	20 ±0,1	14	2000
29050-0230X500	aluminium	Ø30 x 2	30 ±0,1	26	500
29050-0230X1000	aluminium	Ø30 x 2	30 ±0,1	26	1000
29050-0230X2000	aluminium	Ø30 x 2	30 ±0,1	26	2000
29050-0240X500	aluminium	Ø40 x 3	40 ±0,15	34	500
29050-0240X1000	aluminium	Ø40 x 3	40 ±0,15	34	1000
29050-0240X2000	aluminium	Ø40 x 3	40 ±0,15	34	2000
29050-0250X500	aluminium	Ø50 x 3	50 ±0,2	44	500
29050-0250X1000	aluminium	Ø50 x 3	50 ±0,2	44	1000
29050-0250X2000	aluminium	Ø50 x 3	50 ±0,2	44	2000