

Item description/product images



Description

Material:

Thermoplastic.
DIN 7984 screws and DIN 985 nuts steel.

Version:

Black.
Screws and nuts electro zinc-plated.

Note:

These cross clamps are for 30 mm square tubes. Use reducer sleeves 29040 if smaller tubes are to be clamped or a conversion from square to round tubes is required.

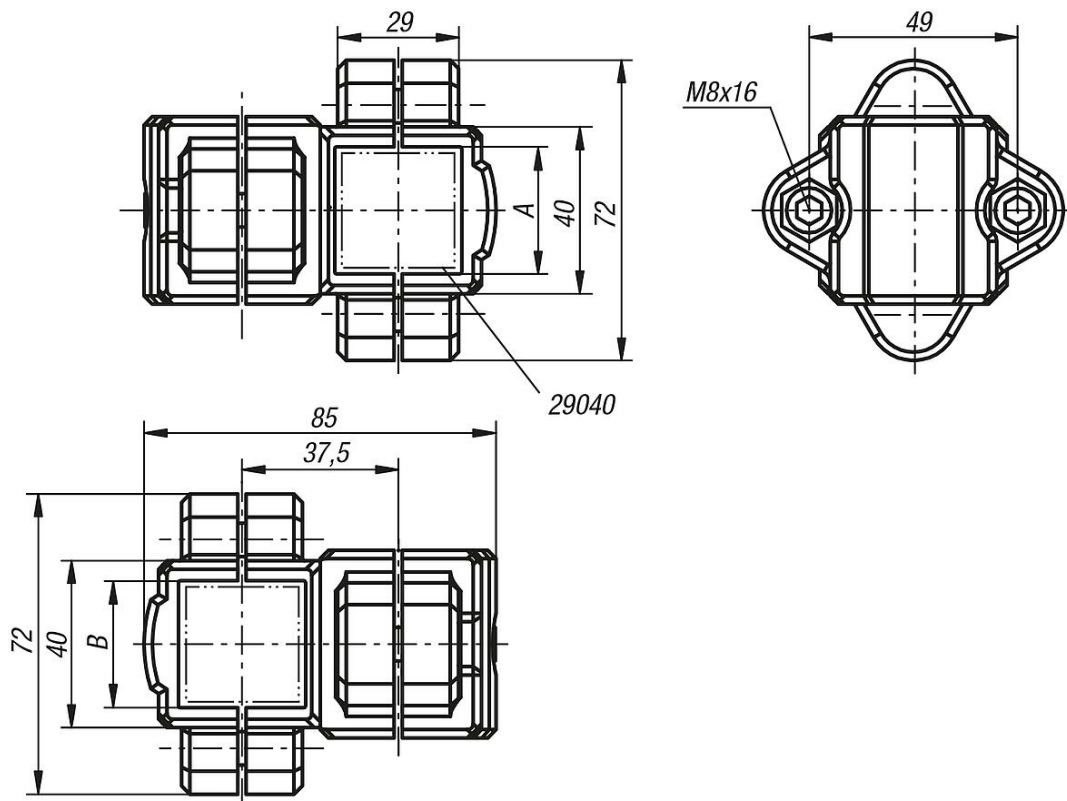
On request:

Plastic clamping levers for tightening.

Accessory:

- Reducer sleeves 29040
- Round and square tubes 29050

Drawings



Overview of items

Order No.	A	B
29002-3030	30	30