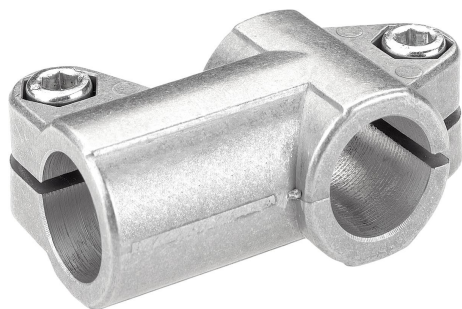


Item description/product images



Description

Material:

Cast aluminium.
DIN 7984 screws and DIN 985 nuts, steel.

Version:

Vibratory ground.
Screws and nuts electro zinc-plated.

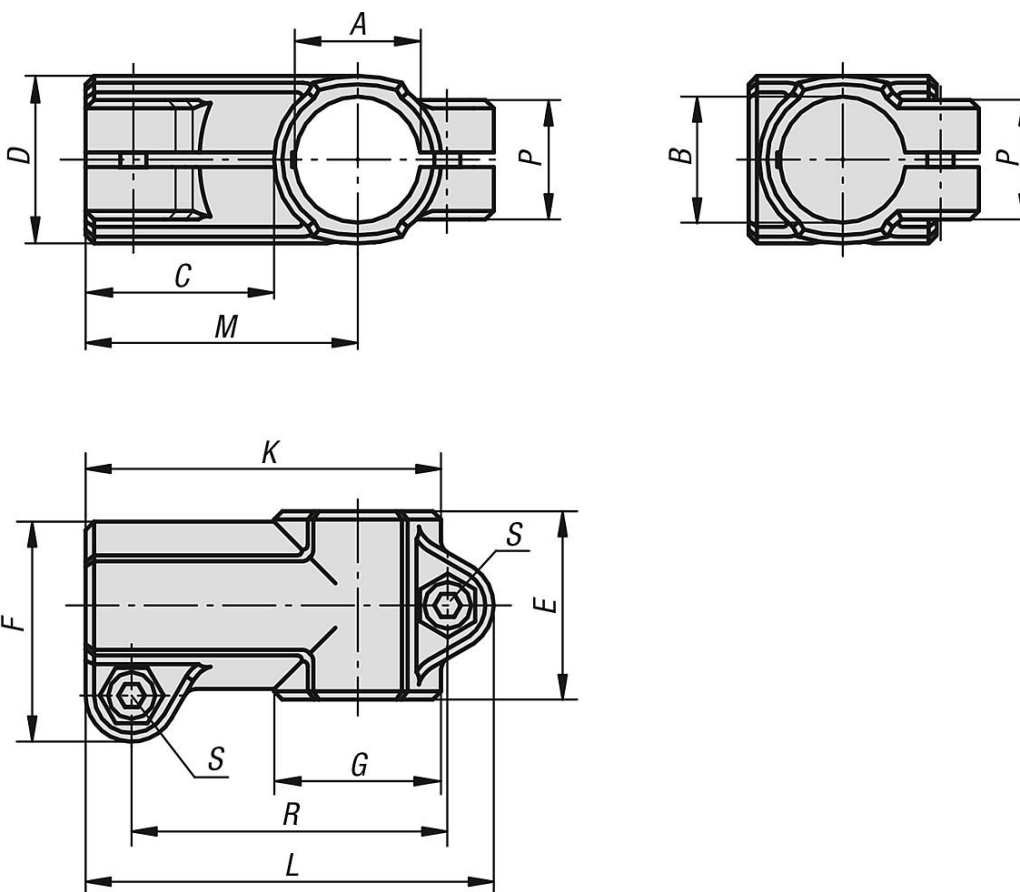
On request:

Levers for locking and other diameters.

Accessory:

- Round and square tubes 29050

Drawings



Overview of items

Order No.	A	B	C	D	E	F	G	K	L	M	P	R	S
29006-51212	12,1	12,1	28	25	32	35,5	25	56	66	43	23	49	M6x20
29006-51414	14,1	14,1	28	25	32	35,5	25	56	66	43	23	49	M6x20
29006-51515	15,1	15,1	28	25	32	35,5	25	56	66	43	23	49	M6x20
29006-51616	16,1	16,1	28	25	32	35,5	25	56	66	43	23	49	M6x20
29006-51818	18,1	18,1	28	25	32	35,5	25	56	66	43	23	49	M6x20

Overview of items

Order No.	A	B	C	D	E	F	G	K	L	M	P	R	S
29006-52020	20,1	20,1	38	40	45	53	40	80	93	60	33	72,5	M8x25
29006-52525	25,1	25,1	38	40	45	53	40	80	93	60	33	72,5	M8x25
29006-53030	30,1	30,1	38	40	45	53	40	80	93	60	33	72,5	M8x25
29006-54040	40,15	40,15	55	56	60	74	56	116	134	88	40	108	M10x30
29006-55050	50,22	50,22	63	66	66	84	66	131	149	98	45	123	M10x35